

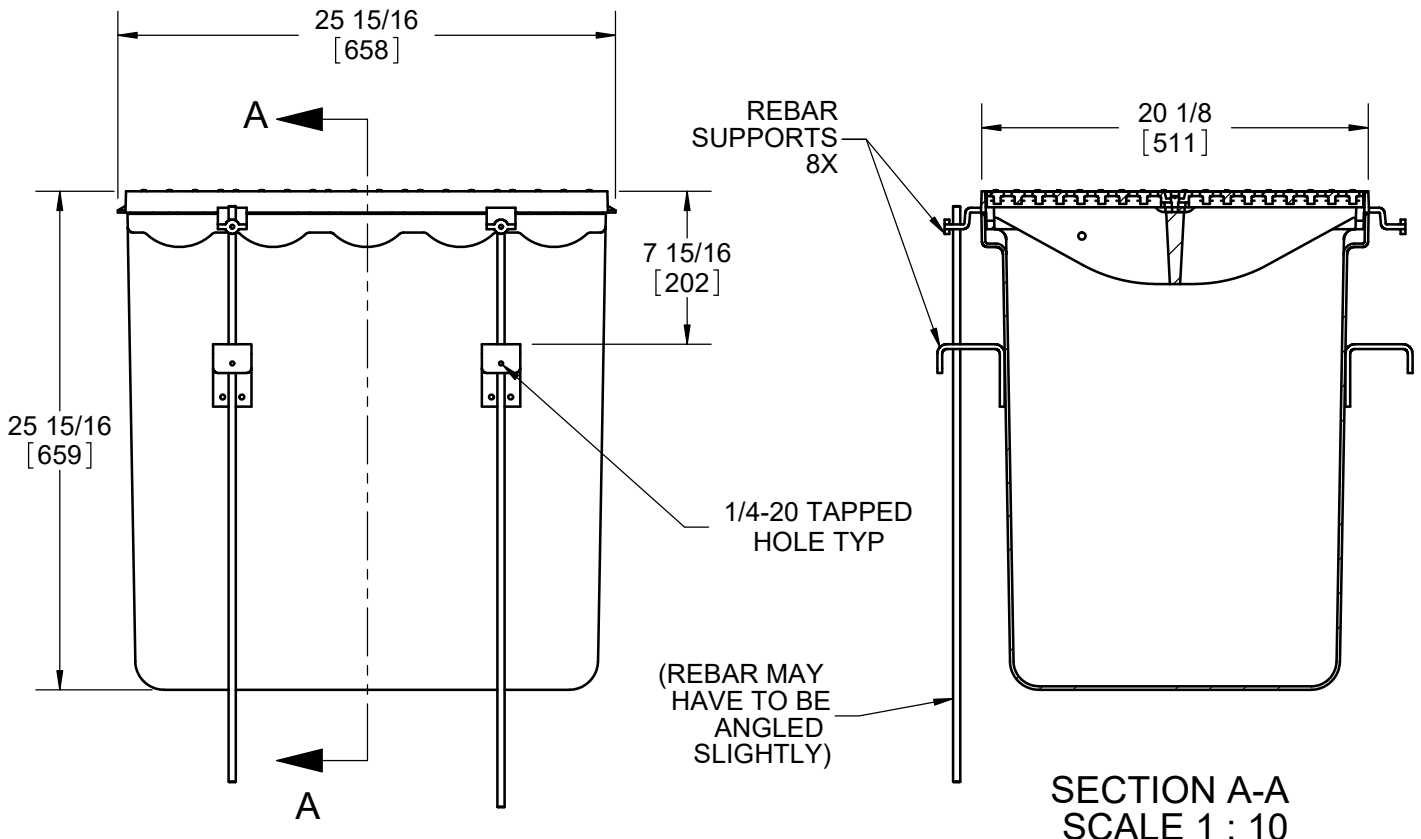
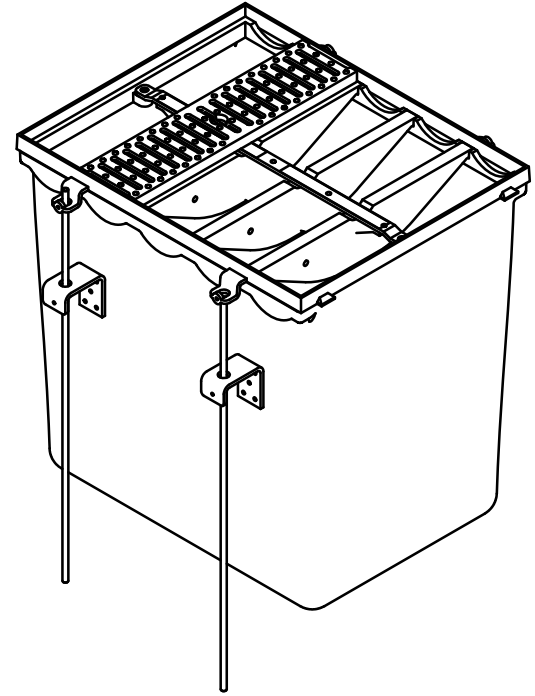
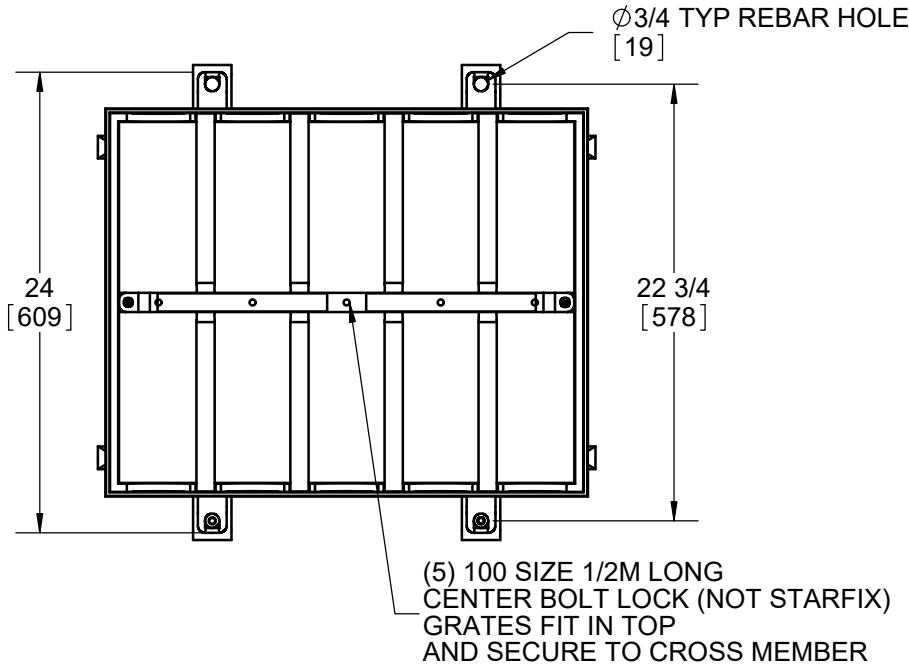
SPECIFICATION:

JOSAM CATCH BASIN WITH DUCTILE IRON FRAME ON TOP FOR USE WITH PRO-PLUS 100C (4" INTERNAL WIDTH), 200C (8" INTERNAL WIDTH) TRENCH CHANNELS WITH DUCTILE IRON FRAMES. BOX IS MADE OF GRP MATERIAL. CHANNEL CUTOUT PROFILE(S) TO BE DONE ON SITE. DOES NOT INCLUDE OUTLET PART.

PRO-PLUS
CATCH BASIN WITH DI RAIL
20" X 24"

SERIES **PPCB-2024-DI**

NOTE:
DUCTILE IRON FRAME AND CROSS SUPPORTS IS REQ'D TO ACHIEVE LOAD CLASS C MAXIMUM ON CATCH BASIN



WARNING: Cancer and Reproductive Harm - www.P65Warnings.ca.gov

DATE OF LAST CHANGE: 04/17/21

DIMENSIONS ARE SUBJECT TO MANUFACTURERS TOLERANCES AND CHANGE WITHOUT NOTICE. WE CAN ASSUME NO RESPONSIBILITY FOR USE OF SUPERSEDED OR VOID DATA.

JOSAM
MICHIGAN CITY, INDIANA

NOTES