

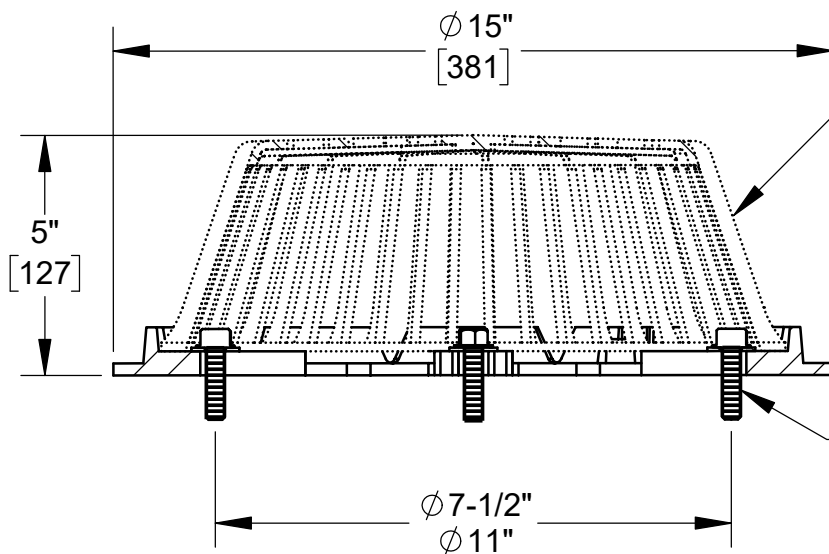
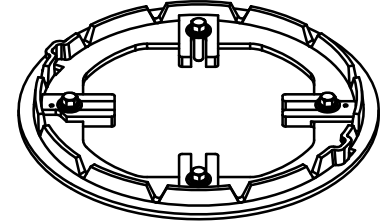
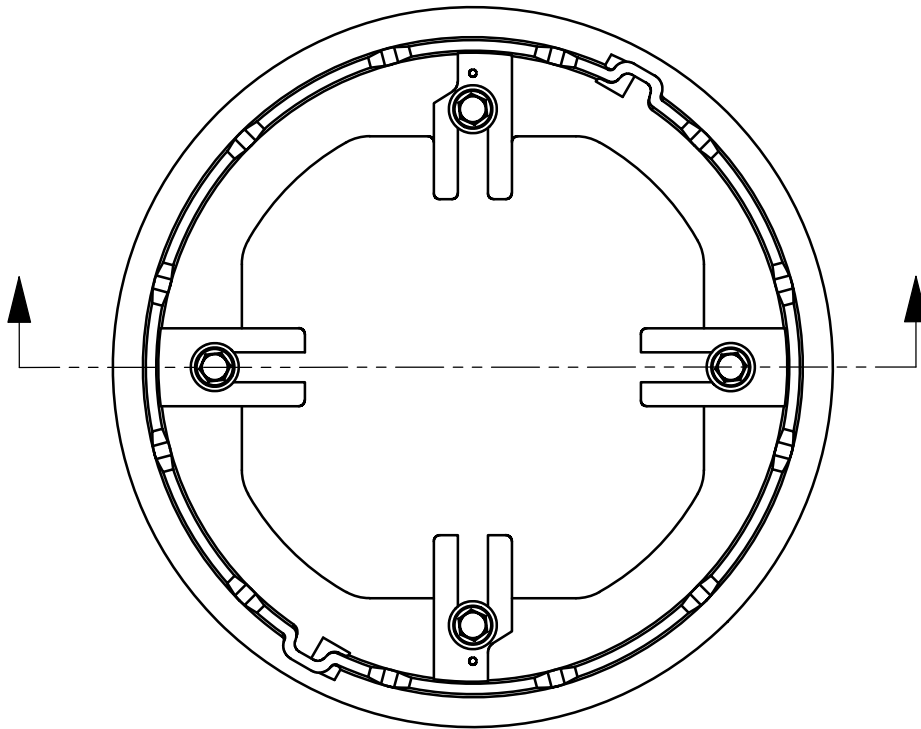
SPECIFICATION:

JOSAM SERIES RD-700 ROOF DRAIN CLAMP RING ASSEMBLY - FITS ALL CLAMP RING WITH INTEGRAL GRAVEL STOP TO FIT BOLT CIRCLE DIAMETERS OF 7-1/2" TO 11" AND HARDWARE.

ADD DOME IN OPTIONS TABLE.

**ROOF DRAIN
"FITS ALL" UNIVERSAL
CLAMP RING**

SERIES **RD-700**



ADD DOME BY SPECIFYING OPTION

(4) 3/8"-16
HEX WASHERHEAD BOLTS
SUPPLIED

OPTIONS:

-PD	POLYPROPYLENE DOME
-CD	CAST IRON DOME
-AD	ALUMINUM DOME
-VP	SECURED DOME, VP SCREWS

WARNING: Cancer and Reproductive Harm - www.P65Warnings.ca.gov

DATE OF LAST CHANGE: 03/24/25

DIMENSIONS ARE SUBJECT TO MANUFACTURERS TOLERANCES AND CHANGE WITHOUT NOTICE. WE CAN ASSUME NO RESPONSIBILITY FOR USE OF SUPERSEDED OR VOID DATA.



MICHIGAN CITY, INDIANA

NOTES