

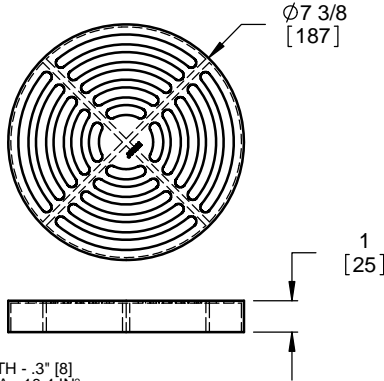
SPECIFICATION:

GRATE AND COVER ASSORTMENT FOR JOSAM 42400 TYPE 304
8" ROUND TOP DRAINS.

SS DRAINS
8" ROUND TOPS

SERIES **42400**

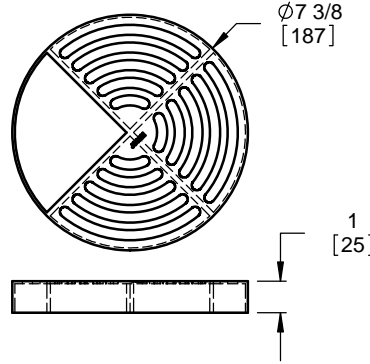
STANDARD PERFORATED GRATE



SLOT WIDTH - .3" [8]
FREE AREA - 18.4 IN²

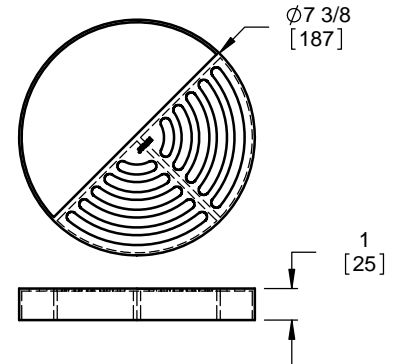
LOAD - MEDIUM DUTY
MEETS ADA AND HEEL-PROOF REQS.

- 3Q 3/4 PERFORATED GRATE



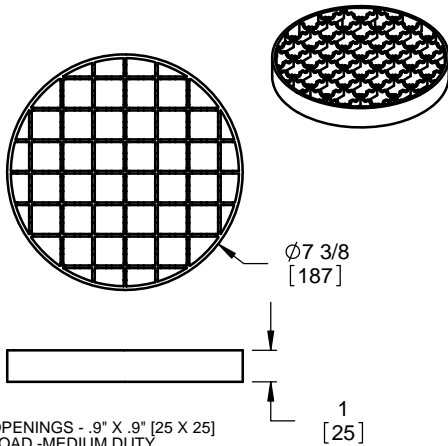
SLOT WIDTH - .3" [8]
LOAD - MEDIUM DUTY

- HG PERFORATED 1/2 GRATE



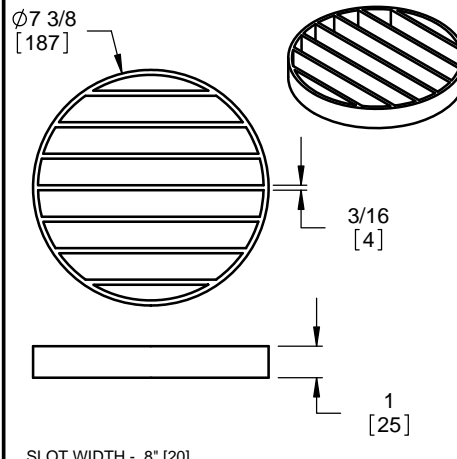
SLOT WIDTH - .3" [8]
LOAD - MEDIUM DUTY

- MG ANTI-SLIP MESH GRATE



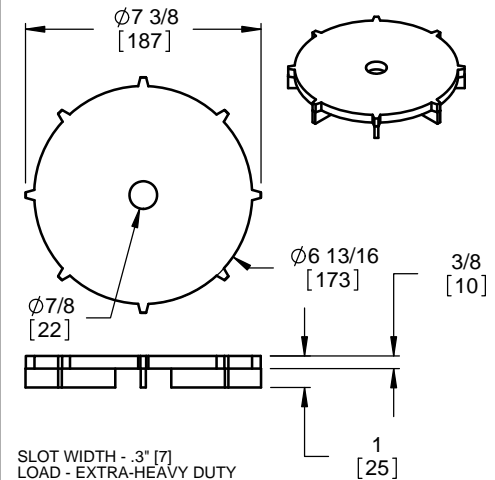
OPENINGS - .9" X .9" [25 X 25]
LOAD - MEDIUM DUTY

- LG LADDER GRATE



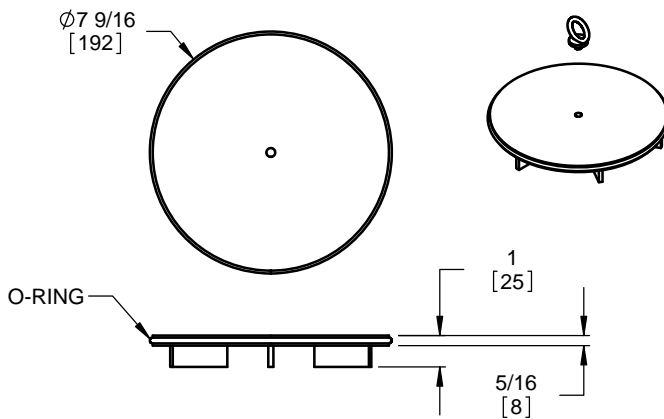
SLOT WIDTH - .8" [20]
LOAD - HEAVY DUTY

- SG PERIMETER SLOT GRATE



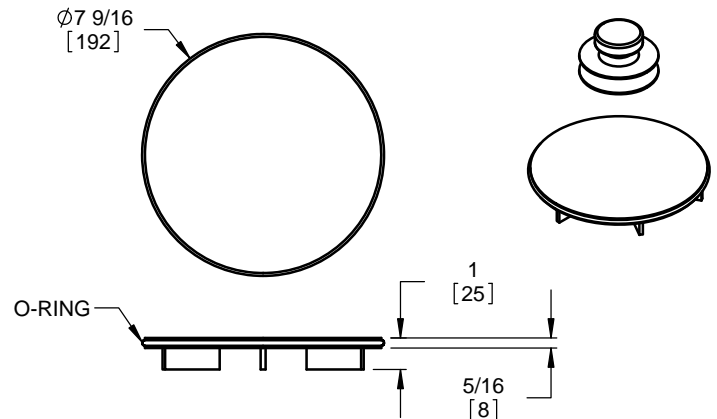
SLOT WIDTH - .3" [7]
LOAD - EXTRA-HEAVY DUTY

- SK SEALING COVER WITH KEY BOLT



LOAD - EXTRA-HEAVY DUTY

- SV SEALING COVER WITH VACUUM HANDLE



LOAD - EXTRA-HEAVY DUTY

DATE OF LAST CHANGE: 7/16/18

DIMENSIONS ARE SUBJECT TO MANUFACTURERS
TOLERANCES AND CHANGE WITHOUT NOTICE.
WE CAN ASSUME NO RESPONSIBILITY FOR
USE OF SUPERSEDED OR VOID DATA.

JOSAM
MICHIGAN CITY, INDIANA

NOTES