

SPECIFICATION:

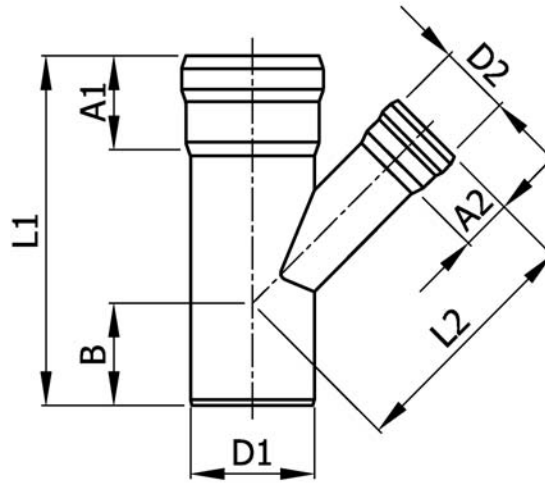
JOSAM PUSH-FIT TYPE 316L STAINLESS STEEL FITTING, 45° WYE WITH EPDM GASKETED SOCKETS ON TWO ENDS.

SS FITTING

**PUSH-FIT
45° WYE**

SERIES

JF



PART NO.	NOM. PIPE SIZE	D1 (PIPE OD)	D2 (PIPE OD)	A1 MIN. INSERT DEPTH	A2 MIN. INSERT DEPTH	L1	L2	B
JF-1312	1-1/2" X 1-1/2"	1.7 [42]	1.7 [42]	1.2 [30]	1.2 [30]	6.1 [155]	3.9 [100]	2.2 [55]
JF-1313	2" X 1-1/2"	2.1 [53]	1.7 [42]	1.5 [38]	1.2 [30]	7.8 [198]	5.8 [148]	2.6 [65]
JF-1314	2" X 2"	2.1 [53]	2.1 [53]	1.5 [38]	1.5 [38]	7.8 [198]	5.2 [133]	2.6 [65]
JF-1315	3" X 1-1/2"	2.9 [73]	1.7 [42]	2.2 [55]	1.2 [30]	8.1 [205]	5.7 [145]	2.4 [60]
JF-1316	3" X 2"	2.9 [73]	2.1 [53]	2.2 [55]	1.5 [38]	9.1 [230]	6.1 [155]	3.0 [75]
JF-1318	3" X 3"	2.9 [73]	2.9 [73]	2.2 [55]	2.2 [55]	10.0 [255]	6.7 [170]	3.3 [85]
JF-1319	4" X 1-1/2"	4.0 [102]	1.7 [42]	2.8 [70]	1.2 [30]	9.8 [250]	7.3 [185]	2.6 [65]
JF-1320	4" X 2"	4.0 [102]	2.1 [53]	2.8 [70]	1.5 [38]	10.6 [270]	7.7 [195]	3.0 [75]
JF-1322	4" X 3"	4.0 [102]	2.9 [73]	2.8 [70]	2.2 [55]	11.8 [300]	8.3 [210]	3.5 [90]
JF-1324	4" X 4"	4.0 [102]	4.0 [102]	2.8 [70]	2.8 [70]	13.2 [335]	8.9 [225]	4.3 [110]
JF-1336	6" X 3"	6.3 [159]	2.9 [73]	3.1 [80]	2.2 [55]	13.2 [335]	10.0 [255]	3.1 [80]
JF-1338	6" X 4"	6.3 [159]	4.0 [102]	3.1 [80]	2.8 [70]	14.6 [370]	11.1 [281]	3.5 [89]
JF-1342	6" X 6"	6.3 [159]	6.3 [159]	3.1 [80]	3.1 [80]	18.1 [460]	12.6 [320]	5.5 [140]
JF-1348	8" X 4"	8.6 [219]	4.0 [102]	4.7 [120]	2.8 [70]	17.5 [445]	13.6 [345]	3.9 [100]
JF-1352	8" X 6"	8.6 [219]	6.3 [159]	4.7 [120]	3.1 [80]	21.3 [540]	15.4 [390]	5.9 [150]
JF-1354	8" X 8"	8.6 [219]	8.6 [219]	4.7 [120]	4.7 [120]	24.4 [620]	16.9 [430]	7.5 [190]

DIMENSIONS IN INCHES [mm] UNLESS OTHERWISE NOTED.

DATE OF LAST CHANGE: 7/19/18

DIMENSIONS ARE SUBJECT TO MANUFACTURERS TOLERANCES AND CHANGE WITHOUT NOTICE. WE CAN ASSUME NO RESPONSIBILITY FOR USE OF SUPERSEDED OR VOID DATA.

JOSAM
MICHIGAN CITY, INDIANA

NOTES