

SPECIFICATION:

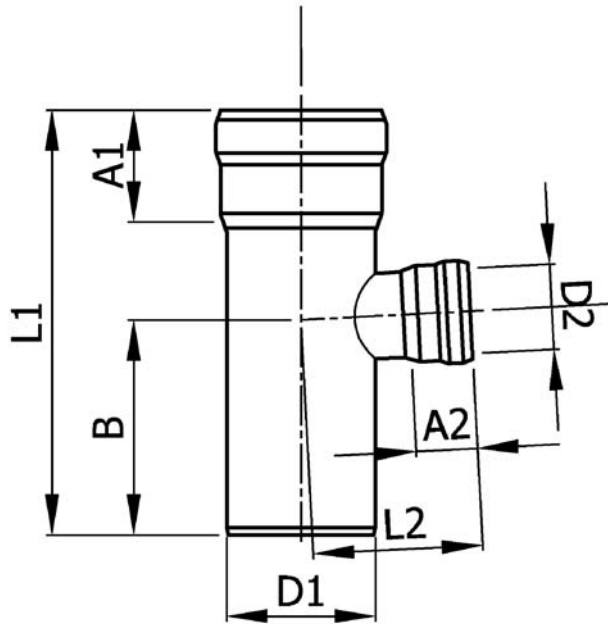
JOSAM PUSH-FIT™ TYPE 316L STAINLESS STEEL FITTING, TEE WITH EPDM GASKETED SOCKETS ON TWO ENDS.

SS FITTING

**PUSH-FIT
TEE**

SERIES

JF



PART NO.	NOM. PIPE SIZE	D1 (PIPE OD)	D2 (PIPE OD)	A1 MIN. INSERT DEPTH	A2 MIN. INSERT DEPTH	L1	L2	B
JF-0902	1-1/2" X 1-1/2"	1.7 [42]	1.7 [42]	1.2 [30]	1.2 [30]	5.4 [137]	2.6 [67]	2.8 [70]
JF-0904	2" X 1-1/2"	2.1 [53]	1.7 [42]	1.5 [38]	1.2 [30]	6.5 [165]	2.9 [73]	3.3 [84]
JF-0906	2" X 2"	2.1 [53]	2.1 [53]	1.6 [38]	1.6 [38]	6.5 [165]	3.2 [81]	3.3 [84]
JF-0908	3" X 1-1/2"	2.9 [73]	1.7 [42]	2.2 [55]	1.2 [30]	8.2 [209]	3.3 [83]	4.2 [107]
JF-0910	3" X 2"	2.9 [73]	2.1 [53]	2.2 [55]	1.6 [38]	8.2 [209]	3.6 [91]	4.2 [107]
JF-0912	3" X 3"	2.9 [73]	2.9 [73]	2.2 [55]	2.2 [55]	8.2 [209]	4.3 [109]	4.2 [107]
JF-0914	4" X 1-1/2"	4.0 [102]	1.7 [42]	2.8 [70]	1.2 [30]	8.5 [216]	3.8 [97]	4.4 [111]
JF-0916	4" X 2"	4.0 [102]	2.1 [53]	2.8 [70]	1.5 [38]	8.5 [216]	4.1 [105]	4.4 [111]
JF-0918	4" X 3"	4.0 [102]	2.9 [73]	2.8 [70]	2.2 [55]	11.4 [291]	4.8 [123]	5.8 [148]
JF-0920	4" X 4"	4.0 [102]	4.0 [102]	2.8 [70]	2.8 [70]	11.4 [291]	5.4 [138]	5.8 [148]
JF-0926	6" X 3"	6.3 [159]	2.9 [73]	3.1 [80]	2.2 [55]	13.5 [343]	6.0 [152]	6.9 [175]
JF-0928	6" X 4"	6.3 [159]	4.0 [102]	3.1 [80]	2.8 [70]	13.5 [343]	6.5 [166]	6.9 [175]
JF-0930	6" X 6"	6.3 [159]	6.3 [159]	3.1 [80]	3.1 [80]	15.9 [403]	7.0 [178]	8.1 [205]
JF-0934	8" X 4"	8.6 [219]	4.0 [102]	4.7 [120]	2.8 [70]	17.4 [441]	7.7 [196]	8.9 [225]
JF-0936	8" X 6"	8.6 [219]	6.3 [159]	4.7 [120]	3.1 [80]	17.4 [441]	8.2 [208]	8.9 [225]
JF-0938	8" X 8"	8.6 [219]	8.6 [219]	4.7 [120]	4.7 [120]	19.3 [491]	9.8 [249]	9.8 [250]

DIMENSIONS IN INCHES [mm] UNLESS OTHERWISE NOTED.

DATE OF LAST CHANGE: 7/20/18

DIMENSIONS ARE SUBJECT TO MANUFACTURERS TOLERANCES AND CHANGE WITHOUT NOTICE. WE CAN ASSUME NO RESPONSIBILITY FOR USE OF SUPERSEDED OR VOID DATA.

JOSAM
MICHIGAN CITY, INDIANA

NOTES