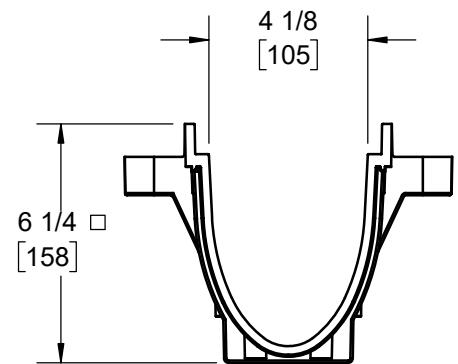
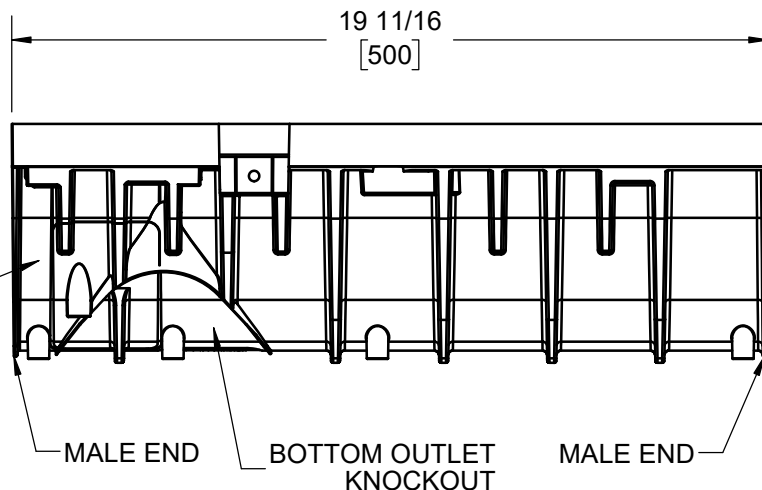
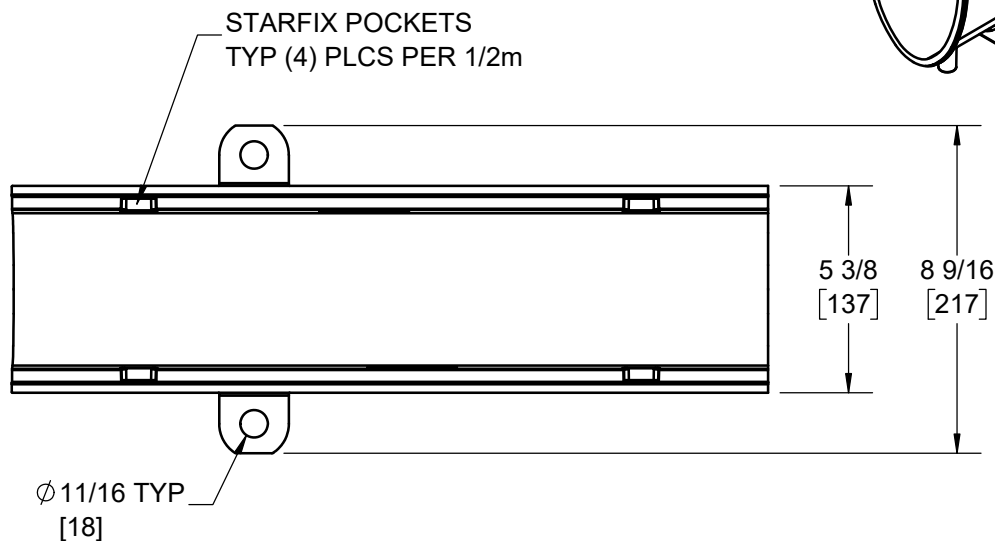
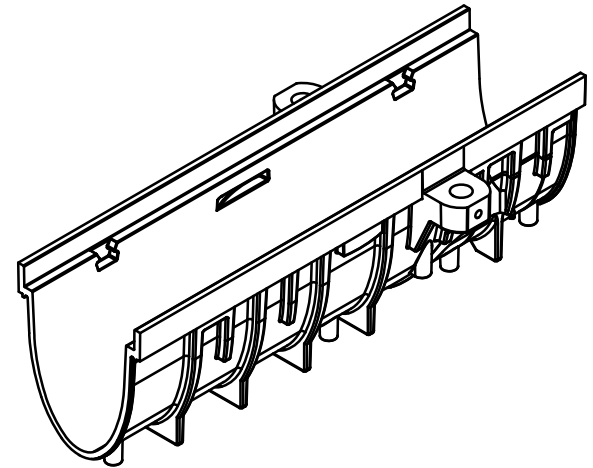


SPECIFICATION:

JOSAM PRO-PLUS™ 100C-12 CHANNEL. 19.7" (500mm) LONG WITH 4" (102mm) INTERNAL WIDTH AND RADIUSED BOTTOM. CHANNEL HAS NO SLOPE. INCLUDES INTEGRAL SUPPORTS FOR REBAR OR THREADED ROD.

PRO-PLUS
4" INTERNAL WIDTH

SERIES **100C-12**



□ NOTE:
ADD 1.2" WHEN FURNISHED WITH DI FRAME 152441

WARNING: Cancer and Reproductive Harm - www.P65Warnings.ca.gov

DATE OF LAST CHANGE: 10/07/19

DIMENSIONS ARE SUBJECT TO MANUFACTURERS TOLERANCES AND CHANGE WITHOUT NOTICE. WE CAN ASSUME NO RESPONSIBILITY FOR USE OF SUPERSEDED OR VOID DATA.

JOSAM
MICHIGAN CITY, INDIANA

NOTES