

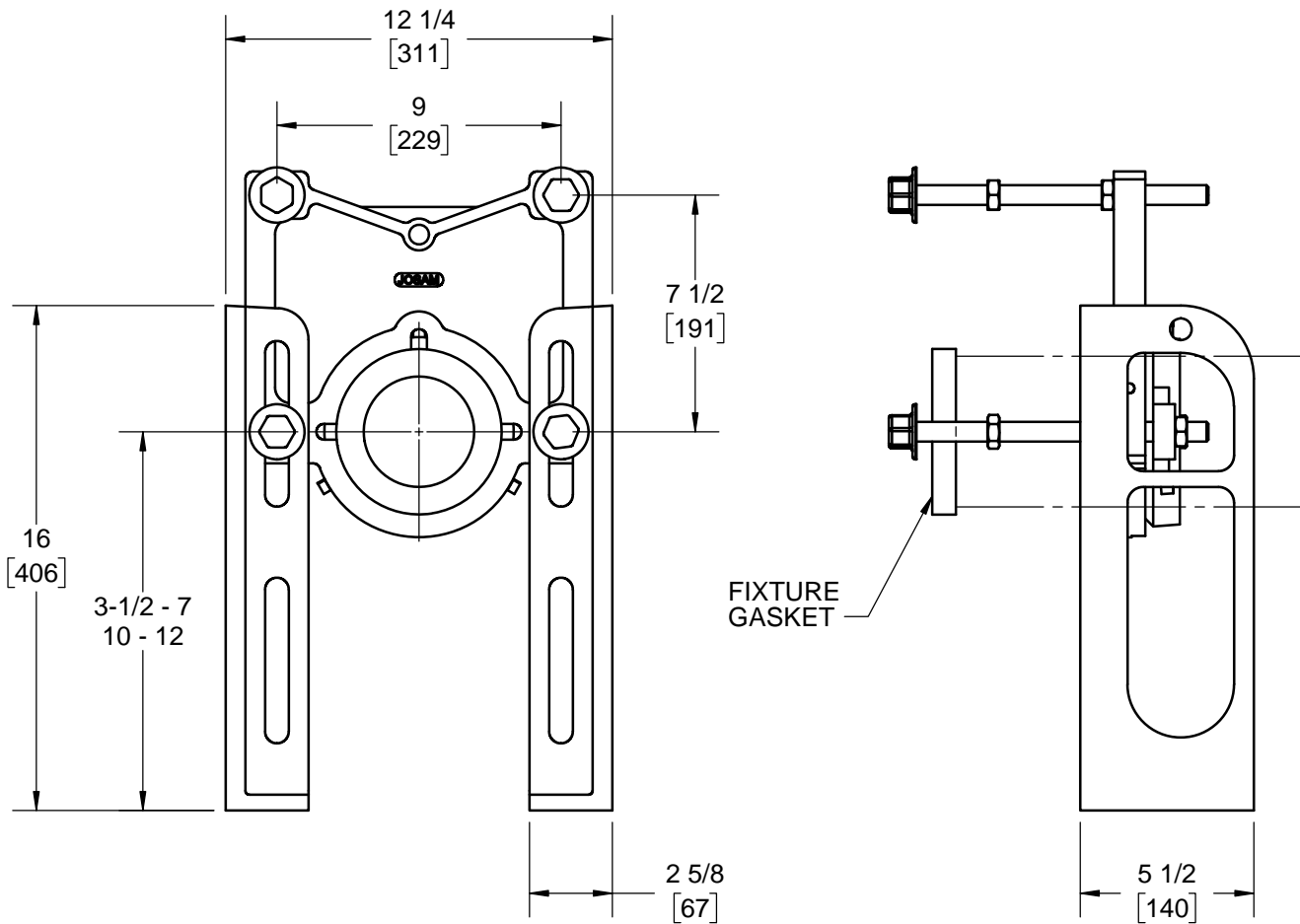
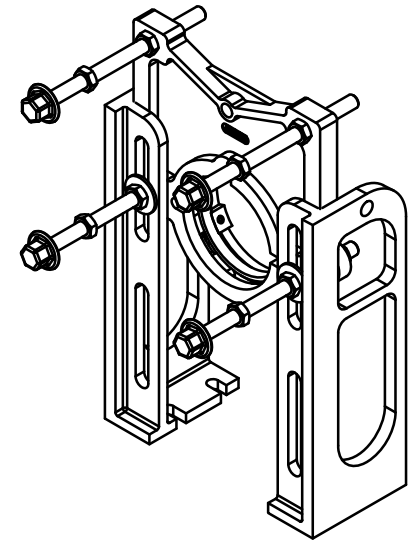
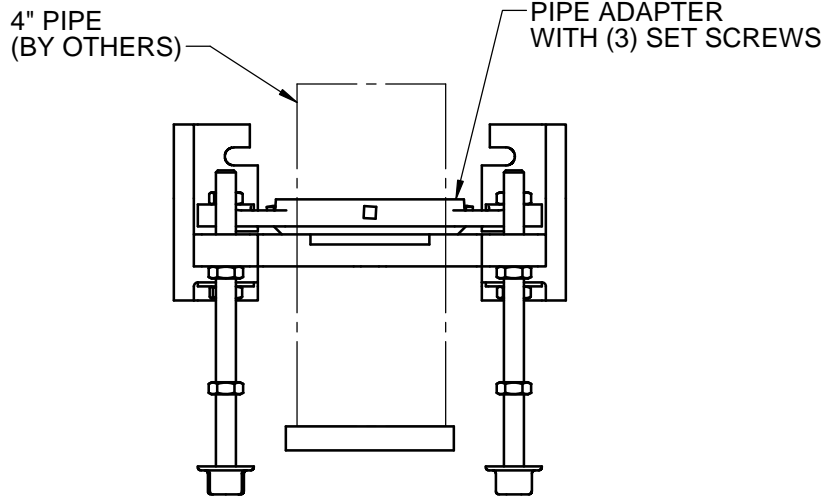
SPECIFICATION:

JOSAM SERIES 11001-35 COATED CAST IRON UNIVERSAL CLOSET CARRIER WITH 4" PIPE ADAPTER, ADJUSTABLE FEET AND HARDWARE. WASTE PIPING AND FITTINGS SUPPLIED BY OTHERS.

NOTE: DOES NOT USE STANDARD 11001 FEET (USES SERIES 16123 FEET)

**CLOSET CARRIER
WITH PIPE ADAPTER AND
EXTENDED HEIGHT**

SERIES **11001-35**



WARNING: Cancer and Reproductive Harm - www.P65Warnings.ca.gov

DATE OF LAST CHANGE: 5/25/18

DIMENSIONS ARE SUBJECT TO MANUFACTURERS TOLERANCES AND CHANGE WITHOUT NOTICE. WE CAN ASSUME NO RESPONSIBILITY FOR USE OF SUPERSEDED OR VOID DATA.

JOSAM
MICHIGAN CITY, INDIANA

NOTES