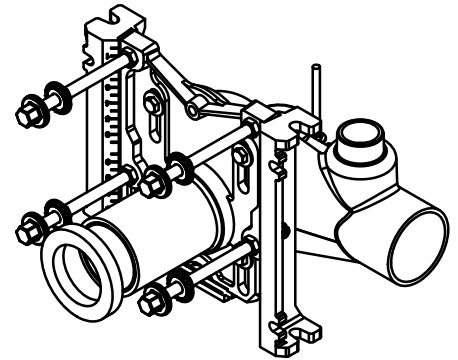
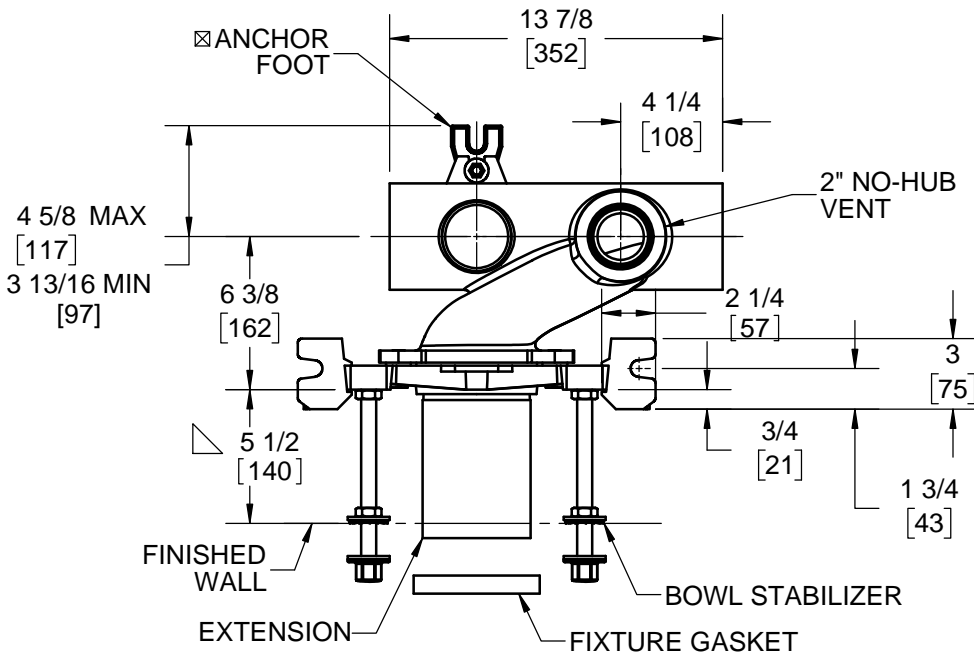


SPECIFICATION:

JOSAM 12674 SERIES COATED CAST IRON SINGLE HORIZONTAL 4" NO-HUB LEFT-HAND OFFSET FITTING WITH 2" NO-HUB VENT AND ADJUSTABLE CARRIER BODY, INVERTIBLE FOR SIPHON JET OR BLOWOUT CLOSETS, WITH ABS EXTENSION WITH INTEGRAL TEST CAP, PYLON FEET, ANCHOR FOOT, PLATED HARDWARE AND NEOPRENE FIXTURE GASKET.

**CLOSET CARRIER
LEFT HAND**

SERIES **12674**



△ FOR DIMENSION SHORTER THAN 5-1/2" (1" MIN) CUT EXTENSION. FOR LONGER EXTENSION (10-1/2" MAX) SPECIFY (-10).

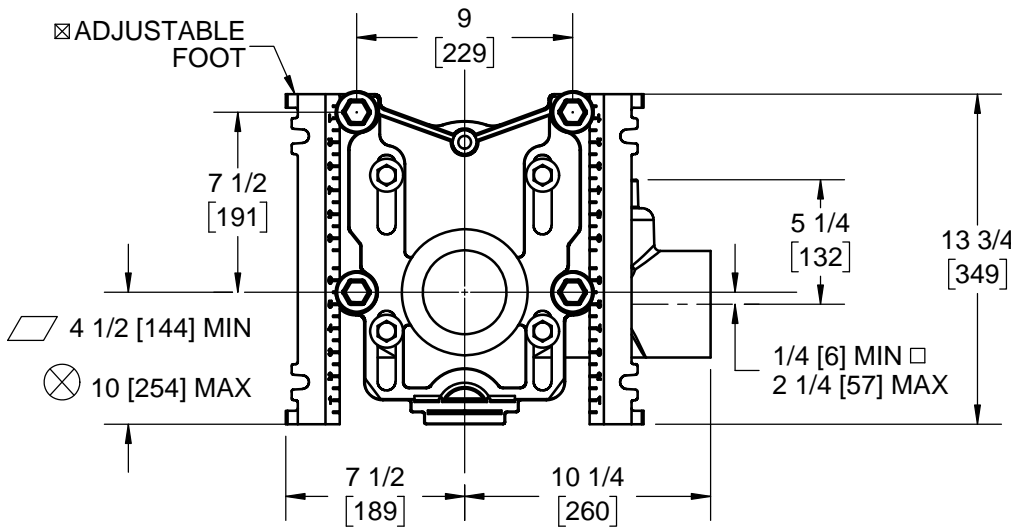
⊠ RECOMMEND FEET BE SECURED TO FLOOR WITH 1/2" BOLTS AND ANCHORS (BY OTHERS).

⊗ FOR SIPHON JET ROUGHING OVER 6" OR BLOWOUT ROUGHING OVER 12-1/2" SPECIFY ON ORDER.

SIPHON JET DIMS SHOWN. FOR BLOWOUT DIMS, USE:

- MIN 2 & MAX 4
- ▱ MIN 11 & MAX 16 1/2

⊙ AUX INLET IS 6" OFFSET FROM VENT



-PF	NPT FCPLT AND EXT - STD
-OR	O-RING FCPLT AND EXT
-CR	COMP. RING FCPLT AND EXT
-PAF	PREFAB ADJUSTABLE FOOT
-SD	SPECIAL-DUTY 500 LB CARRIER
-HS	HUB & SPIGOT
-AUX	⊙ AUXILIARY INLET (2" NO-HUB)
-HUB AUX	⊙ AUXILIARY INLET (2" HUB)
-VP	VANDAL-PROOF TRIM
-1	POSITIONING FRAME

-SDH	SPECIAL DUTY HIGH 750 LB CARRIER
-XSD	EXTRA SPECIAL DUTY 1,000 LB CARRIER
-6	SUPPLY PIPE SUPPORT (SPECIFY TYPE OF PIPE)
-10	ABS EXTENSION THROUGH 10-1/2" WALL
-24	FLOOR MOUNTED BACK OUTLET CHINA BOWL
-30	CAST IRON ADJ. EXTENSION W/ CONNECTOR
-30-2	CAST IRON ADJ. EXTENSION W/ CONNECTOR & TEST CAP
-32	CARRIER FOR WIDE CHASE INSTALLATIONS
-35	CARRIER FOR WHEELCHAIR HIGH ROUGH
-58	HORIZONTAL NO-HUB CAST LONG BARREL

DATE OF LAST CHANGE: 6/4/20

DIMENSIONS ARE SUBJECT TO MANUFACTURERS TOLERANCES AND CHANGE WITHOUT NOTICE. WE CAN ASSUME NO RESPONSIBILITY FOR USE OF SUPERSEDED OR VOID DATA.

JOSAM
MICHIGAN CITY, INDIANA

NOTES

WARNING: Cancer and Reproductive Harm - www.P65Warnings.ca.gov