

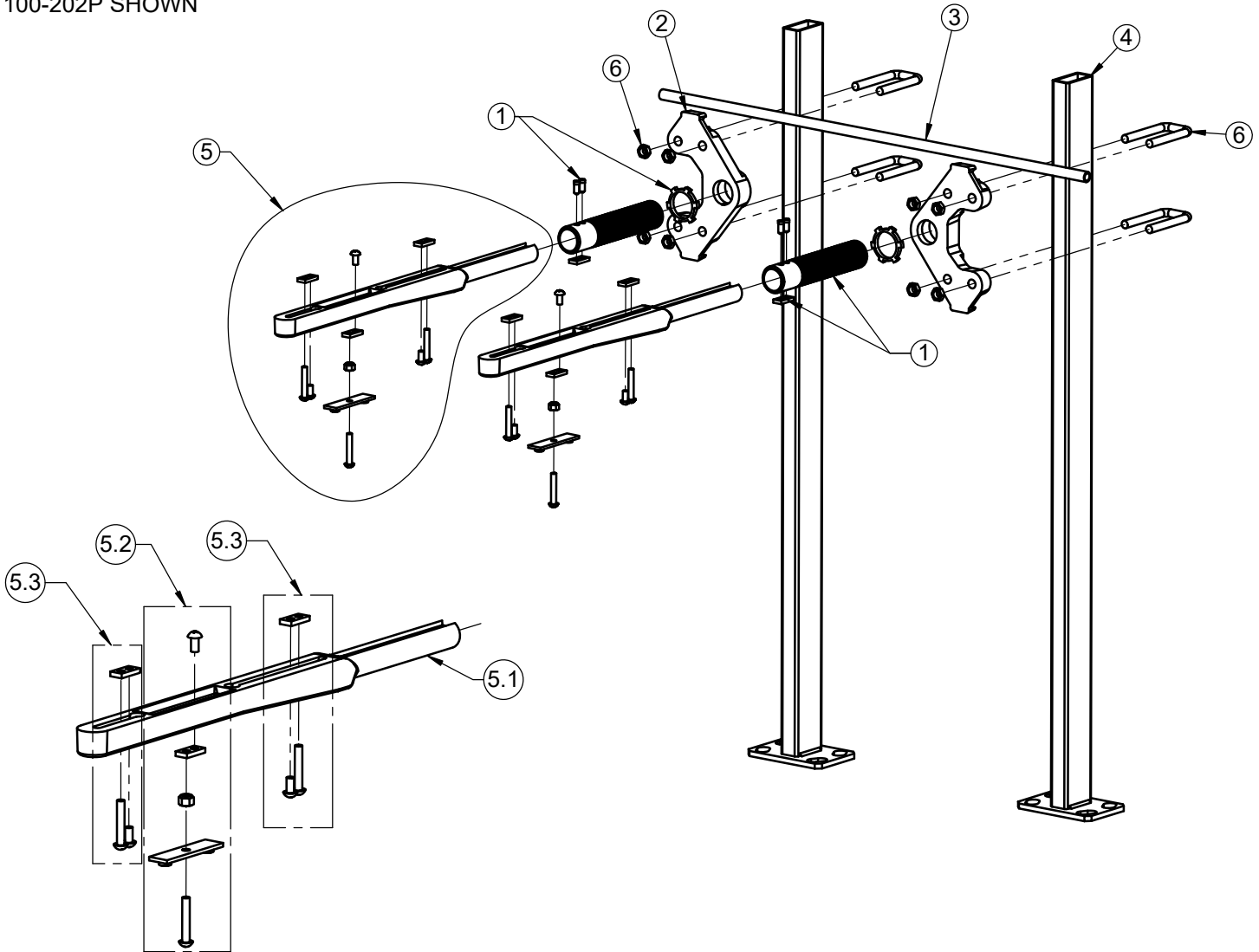
SPECIFICATION:

JOSAM SERIES 17100 REPLACEMENT PARTS GUIDE WITH OLD STYLE HEADER DESIGN.

**FIXTURE CARRIER
REPLACEMENT PARTS**

SERIES **17100-202-OS-RP**

17100-202P SHOWN



POS. NO.	PART/ASSEMBLY NUMBER	DESCRIPTION	QTY REQ'D PER ASSY
1	566340	17100 6-1/2" SLEEVE ASSEMBLY	2
2	171004200	CI HEADER	2
3	071780	1/2" X 26" TIE ROD	1
4	500001	17100 UPRIGHT ASSEMBLY 1X2X36 WELDED	2
5	566290	17100-202 ARM ASSEMBLY	2
6	566232T	HARDWARE PACK (U-BOLTS AND NUTS)	1

POS. NO. 5 - 17100-202 ARM ASSEMBLY

POS. NO.	PART/ASSEMBLY NUMBER	DESCRIPTION	QTY REQ'D PER ASSY
5.1	071600	19-1/2" CONCEALED ARM	1
5.2	566262	17100 FIXTURE LOCK ASSEMBLY	1
5.3	566263	17100 LEVELING ASSEMBLY	2

WARNING: Cancer and Reproductive Harm - www.P65Warnings.ca.gov

DATE OF LAST CHANGE: 05/24/18

DIMENSIONS ARE SUBJECT TO MANUFACTURERS TOLERANCES AND CHANGE WITHOUT NOTICE. WE CAN ASSUME NO RESPONSIBILITY FOR USE OF SUPERSEDED OR VOID DATA.



MICHIGAN CITY, INDIANA

NOTES