

SPECIFICATION:

JOSAM 17100-K165 SERIES FLOOR-MOUNTED, SINGLE LAVATORY CARRIER WITH CONCEALED ARMS, LEVELING AND SECURING SCREWS (TWO OF WHICH ARE 4" LONG), STRUCTURAL UPRIGHTS, AND WELDED FEET.

LAVATORY CARRIER

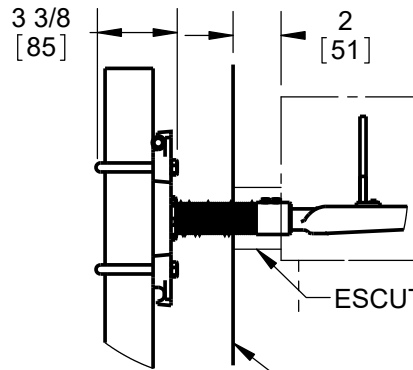
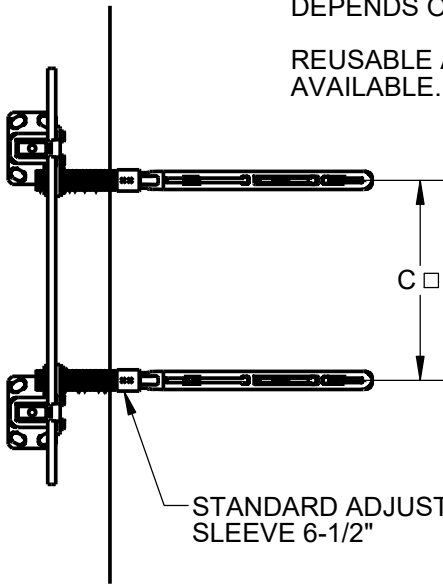
**FLOOR-MOUNT
CONCEALED ARM**

SERIES 17100-K165

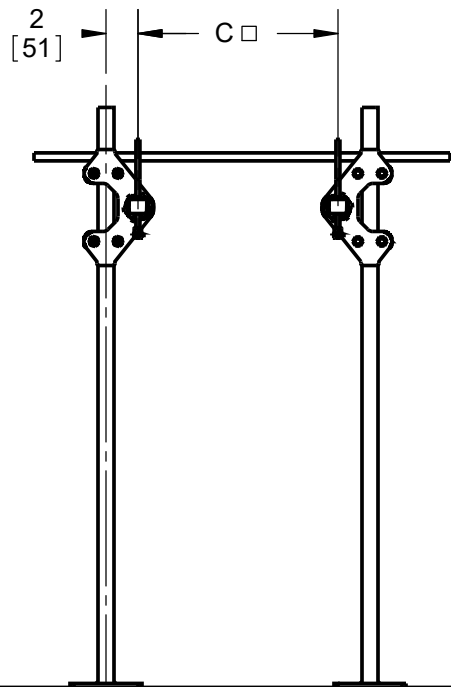
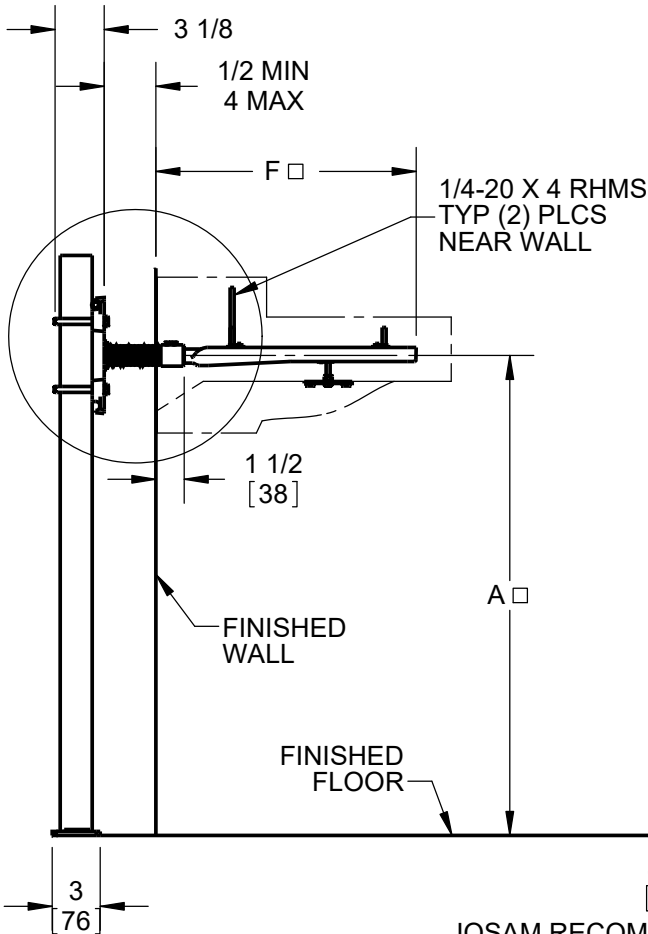
□: VARIABLE DIMENSION.
DEPENDS ON FIXTURE.

REUSABLE ALIGNMENT TOOL
AVAILABLE.

-BB	BACK-TO-BACK CARRIER (SEPARATE SUBMITTAL FOR THIS OPTION AVAILABLE)
-10	EXTENSION SLEEVES LONGER THAN STANDARD (SPECIFY WALL THICKNESS)
-60	VALVE PLATE FOR ATTACHING TO UPRIGHT
-67	CONCEALED ARM CARRIER FOR WHEELCHAIR LAVATORY
-75	2" CHROME PLATED ESCUTCHEONS
-76	4" CHROME PLATED ESCUTCHEONS
-77	6" CHROME PLATED ESCUTCHEONS



-75 OPTION SHOWN:
2" ESCUTCHEON



MANUFACTURER _____

NUMBER _____

SIZE _____

NAME _____

DIMENSIONS

A _____

C _____

F _____

RIM HEIGHT
BASED ON "A" DIM SHOWN

JOSAM RECOMMENDS THAT FEET
BE SECURED TO FLOOR WITH 1/2"
BOLTS AND ANCHORS BY OTHERS

REFERENCE DRAWING A-08201-K

WARNING: Cancer and Reproductive Harm - www.P65Warnings.ca.gov

DATE OF LAST CHANGE: 05/29/18

DIMENSIONS ARE SUBJECT TO MANUFACTURERS TOLERANCES AND CHANGE WITHOUT NOTICE. WE CAN ASSUME NO RESPONSIBILITY FOR USE OF SUPERSEDED OR VOID DATA.



MICHIGAN CITY, INDIANA

NOTES