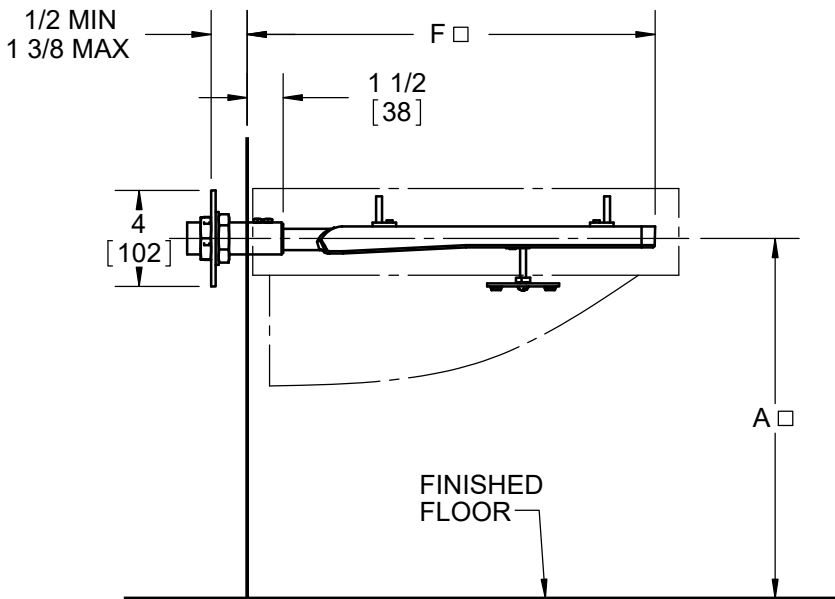
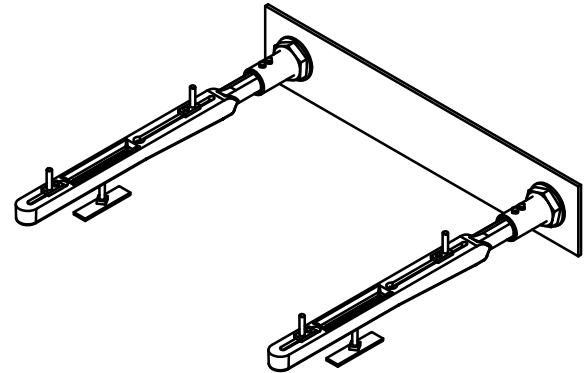
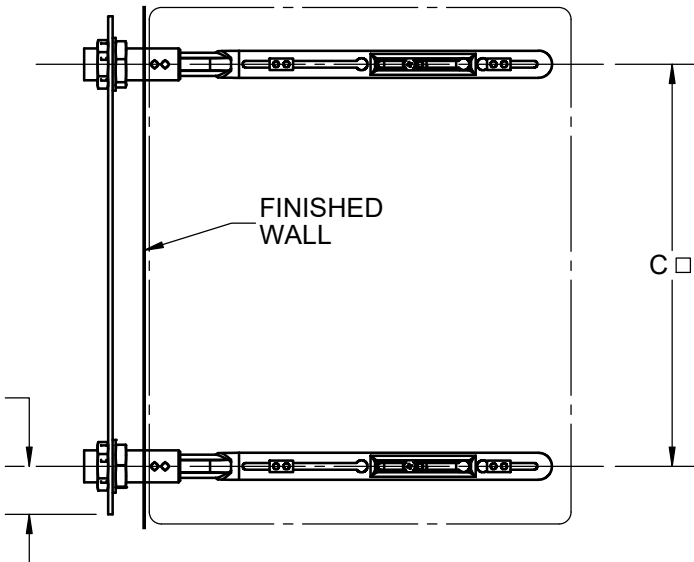


**SPECIFICATION:**

JOSAM 17125 SERIES WALL-MOUNTED, SINGLE LAVATORY CARRIER WITH CONCEALED ARMS, LEVELING & SECURING SCREWS AND STEEL PLATE FOR ATTACHING TO STUDS.

**LAVATORY CARRIER  
WALL-MOUNT CONCEALED ARM**

SERIES **17125**



□: VARIABLE DIMENSION. DEPENDS ON FIXTURE. STANDARD ADJUSTABLE SLEEVE IS 4".

MANUFACTURER

NUMBER

SIZE

NAME

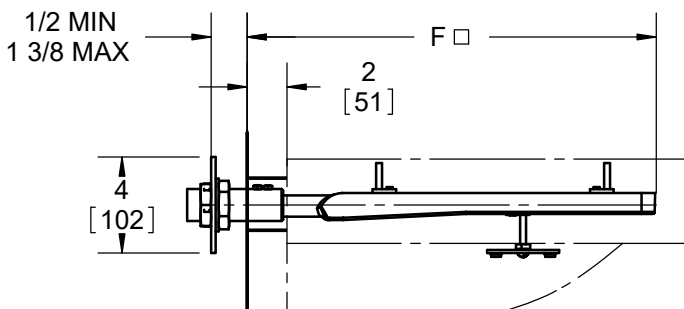
DIMENSIONS

A \_\_\_\_\_

C \_\_\_\_\_

F \_\_\_\_\_

RIM HEIGHT \_\_\_\_\_  
BASED ON "A" DIM SHOWN



CHROME PLATED ESCUTCHEONS (-75)

|     |   |
|-----|---|
| -10 | EXTENSION SLEEVES LONGER THAN STANDARD (SPECIFY WALL THICKNESS) |
| -67 | CONCEALED ARM CARRIER FOR WHEELCHAIR LAVATORY                   |
| -75 | 2" CHROME PLATED ESCUTCHEONS                                    |

DATE OF LAST CHANGE: 10/29/20

DIMENSIONS ARE SUBJECT TO MANUFACTURERS TOLERANCES AND CHANGE WITHOUT NOTICE. WE CAN ASSUME NO RESPONSIBILITY FOR USE OF SUPERSEDED OR VOID DATA.

**JOSAM**

MICHIGAN CITY, INDIANA

NOTES

WARNING: Cancer and Reproductive Harm - www.P65Warnings.ca.gov