

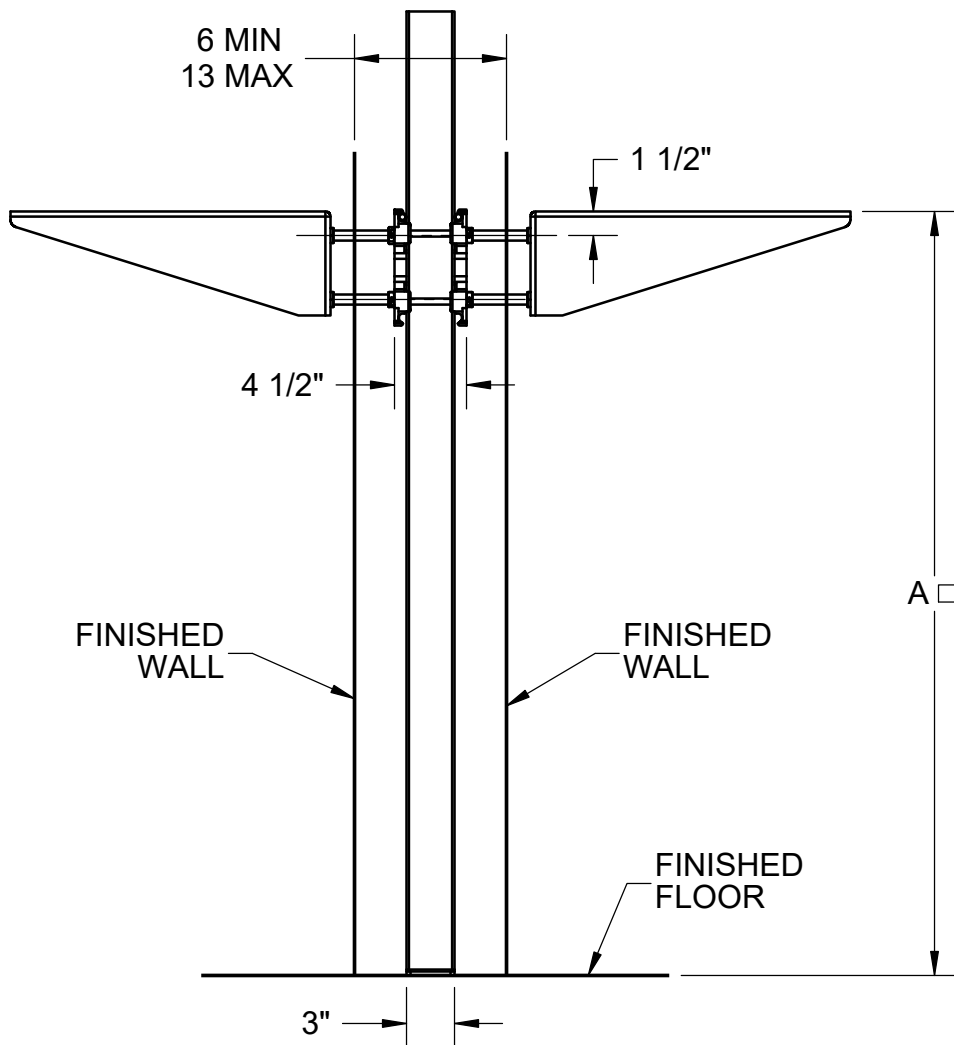
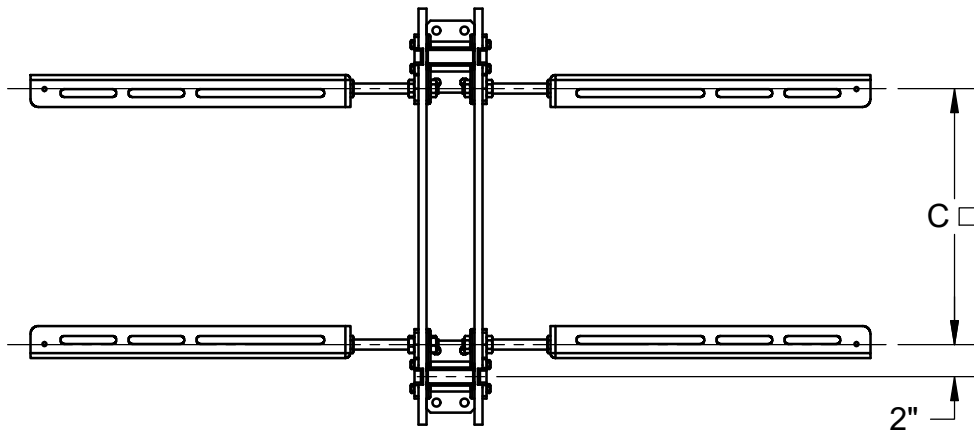
SPECIFICATION:

JOSAM 17380-BB-HD SERIES FLOOR-MOUNTED, BACK-TO-BACK HEAVY-DUTY SINK CARRIER WITH EXPOSED ACID-RESISTING WHITE COATED ARMS, LEVELING AND SECURING SCREWS, STRUCTURAL UPRIGHTS, WELDED FEET AND CHROME PLATED TRIM.

**SINK CARRIER
FLOOR-MOUNT EXPOSED ARM**

SERIES **17380-BB-HD**

REUSABLE ALIGNMENT TOOL AVAILABLE



MANUFACTURER

NUMBER

SIZE

NAME

A _____

C _____

F _____

RIM HEIGHT 'F' BASED ON 'A' DIM SHOWN

□ VARIABLE - DEPENDS ON FIXTURE

RECOMMEND ALL FEET BE SECURED TO FLOOR WITH 1/2" BOLTS AND ANCHORS BY OTHERS.

WARNING: Cancer and Reproductive Harm - www.P65Warnings.ca.gov

X	-BB	BACK-TO-BACK CARRIER
X	-HD	HEAVY-DUTY
	-VP	VANDAL-PROOF TRIM

-10	STUDS FOR WALLS OVER 13" (SPECIFY WALL THICKNESS)
-60	VALVE PLATE FOR ATTACHING TO UPRIGHT
-66	SPLIT HEADER FOR STAINLESS STEEL ARMS

DATE OF LAST CHANGE: 06/11/18

DIMENSIONS ARE SUBJECT TO MANUFACTURERS TOLERANCES AND CHANGE WITHOUT NOTICE. WE CAN ASSUME NO RESPONSIBILITY FOR USE OF SUPERSEDED OR VOID DATA.

JOSAM
MICHIGAN CITY, INDIANA

NOTES