

SPECIFICATION:

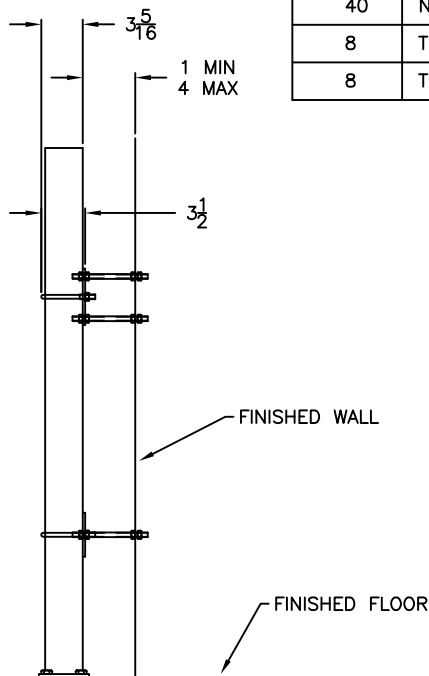
JOSAM 17560-M1572 FLOOR MOUNTED HEAVY DUTY CARRIER WITH HANGER PLATES, ADJUSTABLE SUPPORTING RODS, AND STRUCTURAL UPRIGHTS

LAVATORY CARRIER

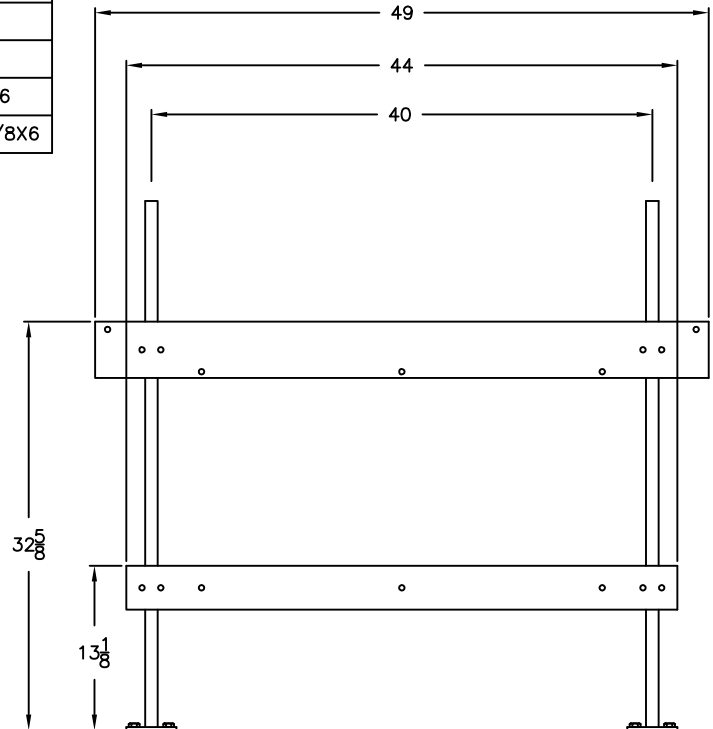
SERIES 17560-M1572

FOR BRADLEY SS-2 LAVATORY

PART LIST	
QUANTITY	DESCRIPTION
1	PLATE HANGER 4.5X49
1	PLATE HANGER 3.5X44
2	UPRIGHT ASSY 1X3X42
4	U-BOLT 3/8-16X4
40	NUT HEX 3/8-16
8	THR D ROD 3/8-16X6
8	THR D PROTECTOR 5/8X6



SIDE VIEW



FRONT VIEW

DATE: 8/7/03

DIMENSIONS ARE SUBJECT TO MANUFACTURER'S TOLERANCES AND CHANGE WITHOUT NOTICE. WE CAN ASSUME NO RESPONSIBILITY FOR USE OF SUPERSEDED OR VOID DATA.

DRAWING NO.

A-15264-K

JOSAM COMPANY
MICHIGAN CITY, INDIANA

SERIES

17560-M1572