

SPECIFICATION:

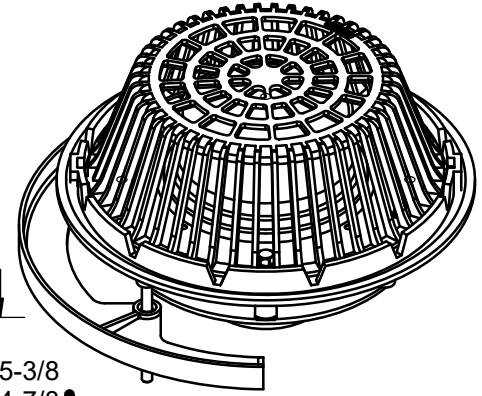
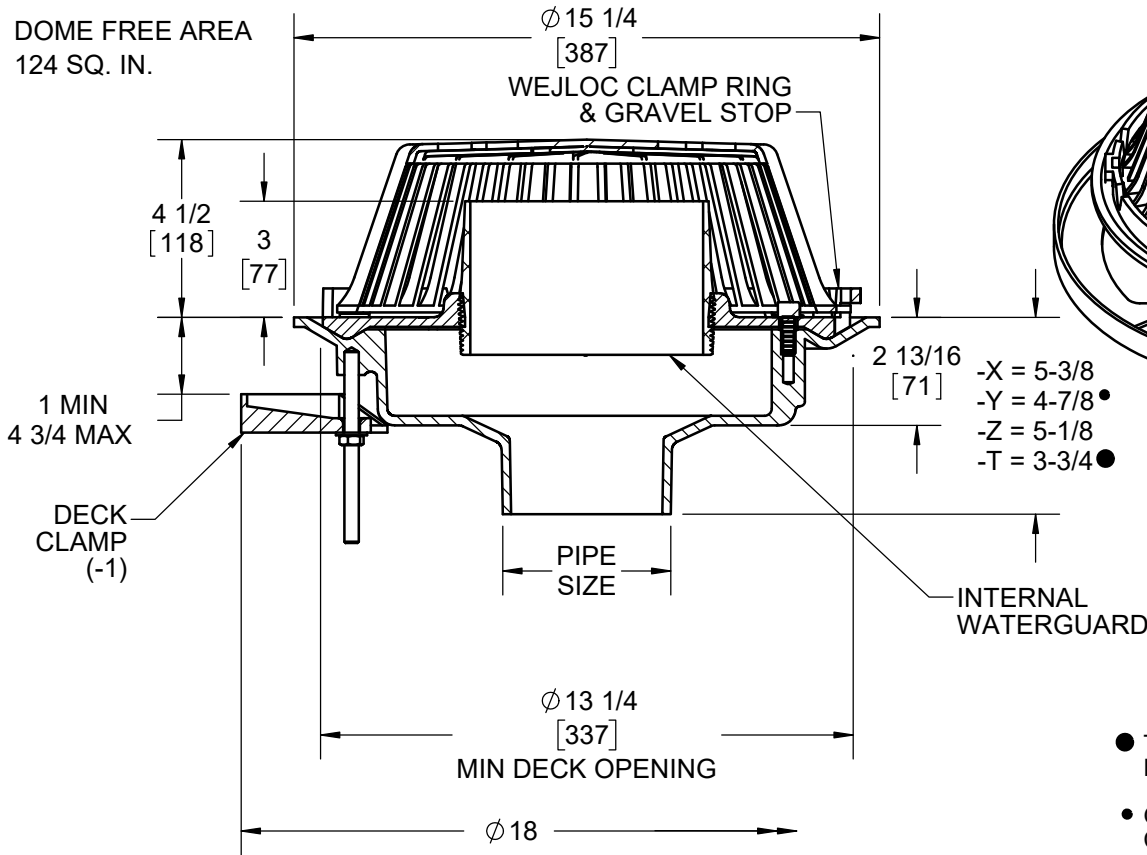
JOSAM 21500-16 SERIES COATED CAST IRON ROOF DRAIN, INTERNAL WATERGUARD TYPE, LARGE POLYPROPYLENE LOCKING DOME, WEJLOC® NON-PUNCTURING CLAMP RING WITH INTEGRAL GRAVEL STOP, SECURED PLASTIC INTERNAL WATERGUARD FOR 3" WATER DEPTH, LARGE SUMP WITH WIDE ROOF FLANGE AND BOTTOM OUTLET.

ROOF DRAIN

LARGE SUMP, INTERNAL WATERGUARD

SERIES

21500-16



- THIS DIMENSION IS 5-3/4" FOR 21508-T
- GASKET ON -Y CONNECTION CONFORMS WITH ASTM-C564
- ** -10 EXTENSION 4" STANDARD

▼ SEPARATE SUBMITTAL FOR THIS OPTION AVAILABLE

	2"	PIPE SIZE (USES Ø6" INTERNAL WATERGUARD)			-3	DECK CLAMP ASY. AND DRAIN RECEIVER
	3"	PIPE SIZE (USES Ø6" INTERNAL WATERGUARD)			-3C	DRAIN RECEIVER AND DRAIN RECEIVER CLIPS
	4"	PIPE SIZE (USES Ø6" INTERNAL WATERGUARD)			-4	SECONDARY FLASHING CLAMP (-AE ONLY)
	5"	PIPE SIZE (USES Ø6" INTERNAL WATERGUARD)			-6	EXTRA WIDE FLANGE DRAIN BODY (-X OUTLET ONLY)
	6"	PIPE SIZE (USES Ø6" INTERNAL WATERGUARD)			-10	FIXED EXT. COLLAR, CAST IRON (SPECIFY HEIGHT **)
	8"	PIPE SIZE (USES Ø8" INTERNAL WATERGUARD)			-10-20	FIXED EXT. COLLAR, GALVANIZED (SPECIFY HEIGHT **)
					X -16	INTERNAL WATERGUARD
	-X	INSIDE CAULK OUTLET			-16GLV	GALV. STEEL INTERNAL WATERGUARD (2"-6" ONLY)
	-Y	HUB OUTLET W/GASKET (2", 3" & 4" SIZES ONLY)			-19	CLAMP COLLAR W/PERF. STAINLESS GRAVEL GUARD
	-Z	NO-HUB SPIGOT OUTLET			-20	GALVANIZED CAST IRON PARTS
	-T	THREADED OUTLET			-22	CAST IRON DOME
					-22 -21	GALVANIZED CAST IRON DOME ONLY
	-AE	THREADED LEVELEZE® ADJ. EXT.			-23	ROUGH BRONZE DOME
	-AER	ADJ. EXT. USING THREADED RODS			-26	ALUMINUM DOME
	-IRMA	PERFORATED STAINLESS STEEL EXT.			-33	STAINLESS STEEL MESH-COVERED DOME
	▼ -CR	CLAMPING DRAIN RECEIVER (MIN. DECK OPENING Ø16")			-66	NO-HUB SIDE OUTLET (2" THRU 6" OUTLETS ONLY)
	-1	DECK CLAMP ASY.			-VP	VANDAL-PROOF DOME
	-1C	DRAIN RECEIVER CLIPS (MIN. DECK OPENING Ø16")				
	-2	DRAIN RECEIVER				

WARNING: Cancer and Reproductive Harm - www.P65Warnings.ca.gov

DATE OF LAST CHANGE: 02/11/20

DIMENSIONS ARE SUBJECT TO MANUFACTURERS TOLERANCES AND CHANGE WITHOUT NOTICE. WE CAN ASSUME NO RESPONSIBILITY FOR USE OF SUPERSEDED OR VOID DATA.



MICHIGAN CITY, INDIANA

NOTES