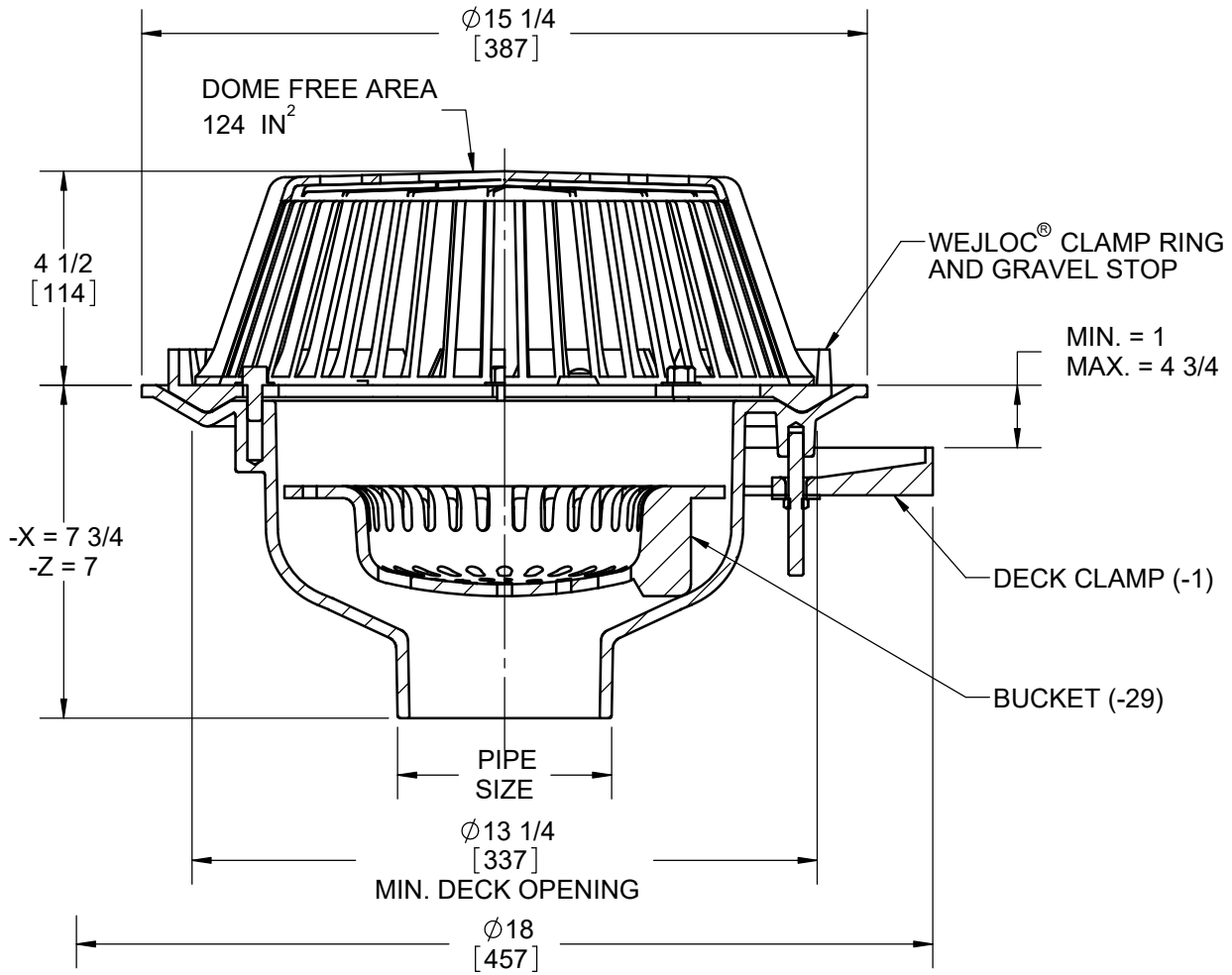


SPECIFICATION:

JOSAM SERIES 21500-18 COATED CAST IRON ROOF DRAIN, LARGE POLYPROPYLENE LOCKING DOME, WEJLOC® NON-PUNCTURING CLAMP RING WITH INTEGRAL GRAVEL STOP, DEEP SUMP WITH WIDE ROOF FLANGE AND BOTTOM OUTLET.

**ROOF DRAIN
DEEP SUMP**

SERIES **21500-18**



2"	PIPE SIZE			-3	DECK CLAMP ASY. AND DRAIN RECEIVER
3"	PIPE SIZE			-3C	DRAIN RECEIVER AND DRAIN RECEIVER CLIPS
4"	PIPE SIZE			-4	SECONDARY FLASHING CLAMP (-AE ONLY)
5"	PIPE SIZE			-6	EXTRA WIDE FLANGE DRAIN BODY (-X OUTLET ONLY)
6"	PIPE SIZE			-10	FIXED EXT. COLLAR, CAST IRON (SPECIFY HT.**)
-X	INSIDE CAULK OUTLET			-10-20	FIXED EXT. COLLAR, GALV. (SPECIFY HT.**)
-Z	NO-HUB SPIGOT OUTLET			-16*	INTERNAL WATERGUARD (2" THRU 6" OUTLETS ONLY)
				-17*	2" HIGH SOLID CLAMPING COLLAR
-AE	THREADED LEVELZE ADJ. EXT.			-19	CLAMP COLLAR W/PERFORATED STAINLESS GRAVEL GUARD
-AER	ADJ. EXT. USING THREADED RODS			-20	GALV. CAST IRON PARTS
-IRMA	PERFORATED STAINLESS STEEL EXT.			-22	CAST IRON DOME
-CR	CLAMPING DRAIN RECEIVER (MIN. DECK OPENING ϕ 16")			-22 21	GALV. CAST IRON DOME ONLY
-1	DECK CLAMP ASY.			-23	ROUGH BRONZE DOME
-1C	DRAIN RECEIVER CLIPS (MIN. DECK OPENING ϕ 16")			-26	ALUMINUM DOME
-2	DRAIN RECEIVER			-33	STAINLESS STEEL MESH-COVERED DOME
-29	BUCKET			-66	NO-HUB SIDE OUTLET (2" THRU 6" OUTLETS ONLY)
				-VP	SECURED DOME

WARNING: Cancer and Reproductive Harm - www.P65Warnings.ca.gov

DATE OF LAST CHANGE: 02/11/20

DIMENSIONS ARE SUBJECT TO MANUFACTURERS TOLERANCES AND CHANGE WITHOUT NOTICE. WE CAN ASSUME NO RESPONSIBILITY FOR USE OF SUPERSEDED OR VOID DATA.



NOTES