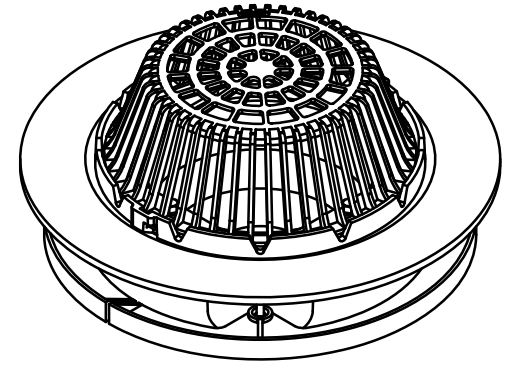
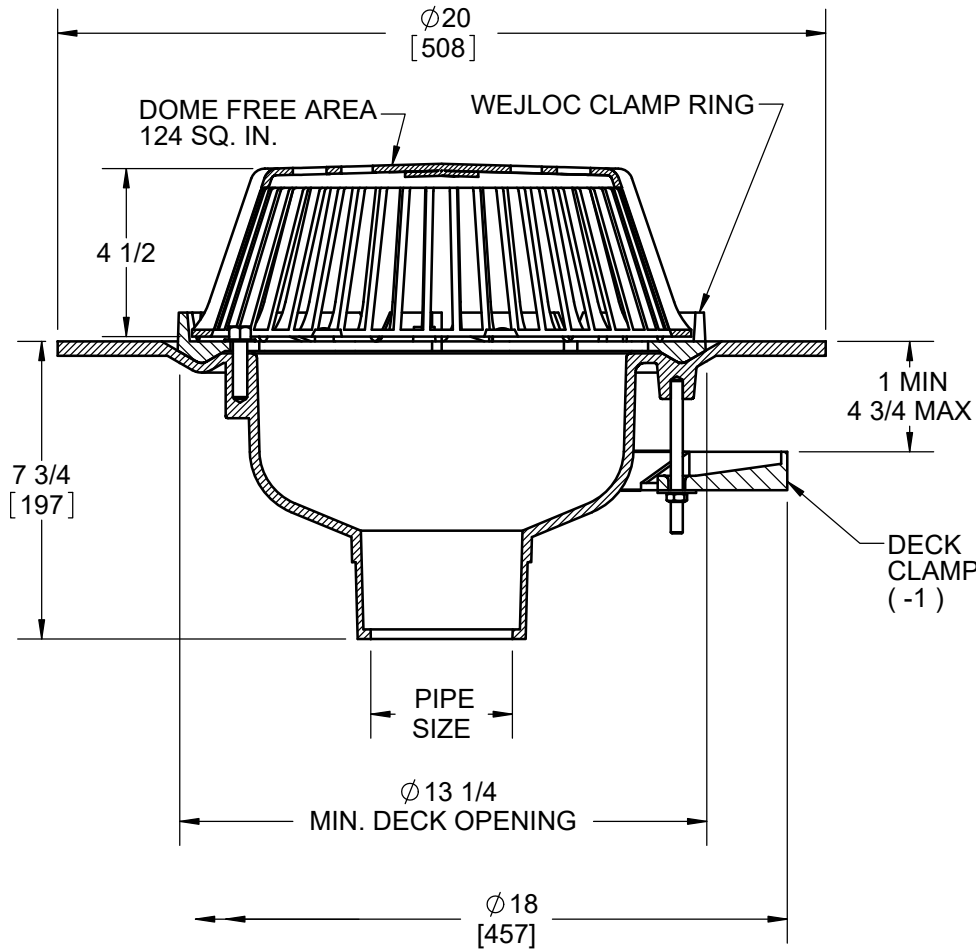


SPECIFICATION:

JOSAM 21500-6 SERIES COATED CAST IRON DRAIN, LARGE POLYPROPYLENE LOCKING DOME, WEJLOC® NON-PUNCTURING CLAMP RING WITH INTEGRAL GRAVEL STOP, LARGE SUMP WITH EXTRA-WIDE ROOF FLANGE AND BOTTOM OUTLET INSIDE CAULK CONNECTION.

**ROOF DRAIN
LARGE SUMP, WIDE FLANGE**

SERIES **21500-6**



** -10 EXTENSION 4" STANDARD

* -16 & -17 CANNOT BE FURNISHED TOGETHER

| | | | | | |
|----------|--------|---|--|---------|---|
| | 2" | PIPE SIZE | | -16* | INTERNAL WATERGUARD |
| | 3" | PIPE SIZE | | -17* | 2" HIGH SOLID CLAMPING COLLAR |
| | 4" | PIPE SIZE | | -19 | CLAMP COLLAR W/PERF. STAINLESS GRAVEL GUARD |
| | 5" | PIPE SIZE | | -20 | GALVANIZED CAST IRON PARTS |
| | 6" | PIPE SIZE | | -22 | CAST IRON DOME |
| | | | | -22 -21 | GALVANIZED CAST IRON DOME ONLY |
| X | -X | INSIDE CAULK OUTLET | | -23 | ROUGH BRONZE DOME |
| X | -6 | EXTRA WIDE FLANGE DRAIN BODY | | -26 | ALUMINUM DOME |
| | | | | -33 | STAINLESS STEEL MESH-COVERED DOME |
| | -AE | THREADED LEVELLEEZ® ADJ. EXT. | | -66 | NO-HUB OUTLET |
| | -IRMA | PERFORATED STAINLESS STEEL EXT. | | | |
| | | | | -VP | VANDAL-PROOF DOME |
| | -1 | DECK CLAMP ASSEMBLY | | | |
| | -10 | FIXED EXT. COLLAR, CAST IRON (SPECIFY HEIGHT **) | | | |
| | -10-20 | FIXED EXT. COLLAR, GALVANIZED (SPECIFY HEIGHT **) | | | |

WARNING: Cancer and Reproductive Harm - www.P65Warnings.ca.gov

DATE OF LAST CHANGE: 02/11/20

DIMENSIONS ARE SUBJECT TO MANUFACTURERS TOLERANCES AND CHANGE WITHOUT NOTICE. WE CAN ASSUME NO RESPONSIBILITY FOR USE OF SUPERSEDED OR VOID DATA.

JOSAM
MICHIGAN CITY, INDIANA

NOTES