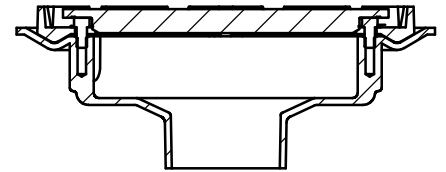
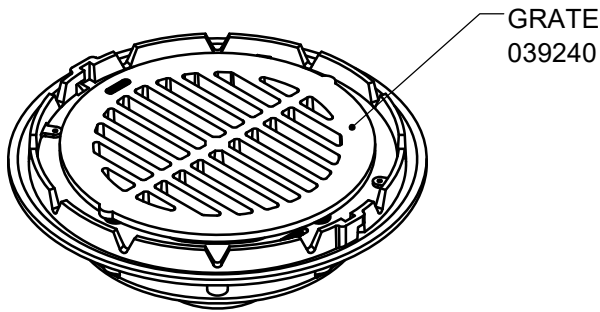


SPECIFICATION:

ROOF DRAIN
21500 FLAT GRATE OPTIONS

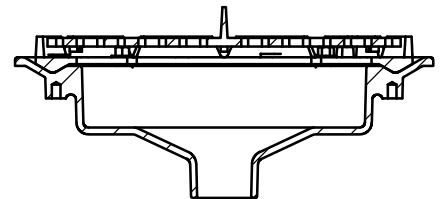
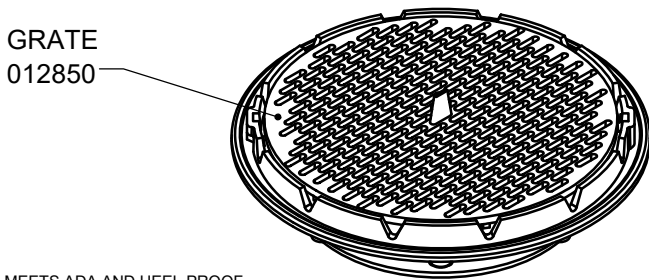
SEE 21500 SUBMITTAL FOR MORE DETAIL AND OPTIONS.

21500-FG,
SERIES **21500-FG2, 21500-FG3**



JOSAM 21500-FG

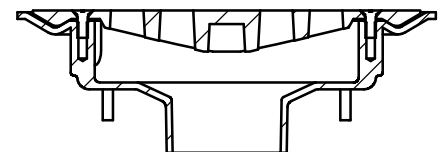
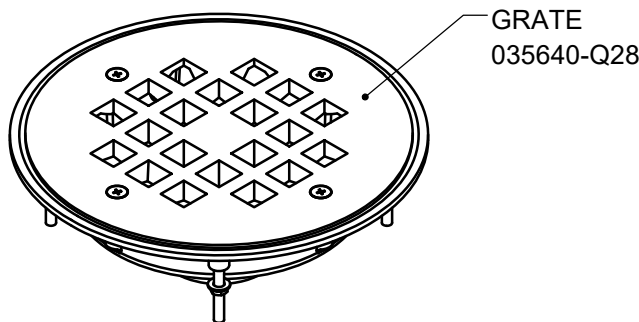
COATED CAST IRON DRAIN, FLAT GRATE, WEJLOC NON-PUNCTURING CLAMP RING WITH INTEGRAL GRAVEL STOP, LARGE SUMP WITH WIDE ROOF FLANGE AND BOTTOM OUTLET.



MEETS ADA AND HEEL PROOF REQUIREMENTS

JOSAM 21500-FG2 (WAS -Q244)

COATED CAST IRON PLAZA DRAIN WITH ROUND TOP, LIGHT DUTY LOOSE SET GRATE, WEJLOC CLAMP RING, LARGE SUMP BODY AND BOTTOM OUTLET.



JOSAM 21500-FG3 (WAS -Q28)

COATED CAST IRON ROOF DRAIN FLAT GRATE WITH INTEGRAL FLASHING CLAMP, LARGE SUMP WITH WIDE ROOF FLANGE AND BOTTOM OUTLET CONNECTION.

WARNING: Cancer and Reproductive Harm - www.P65Warnings.ca.gov

DATE OF LAST CHANGE: 11/12/20

DIMENSIONS ARE SUBJECT TO MANUFACTURERS TOLERANCES AND CHANGE WITHOUT NOTICE. WE CAN ASSUME NO RESPONSIBILITY FOR USE OF SUPERSEDED OR VOID DATA.



NOTES