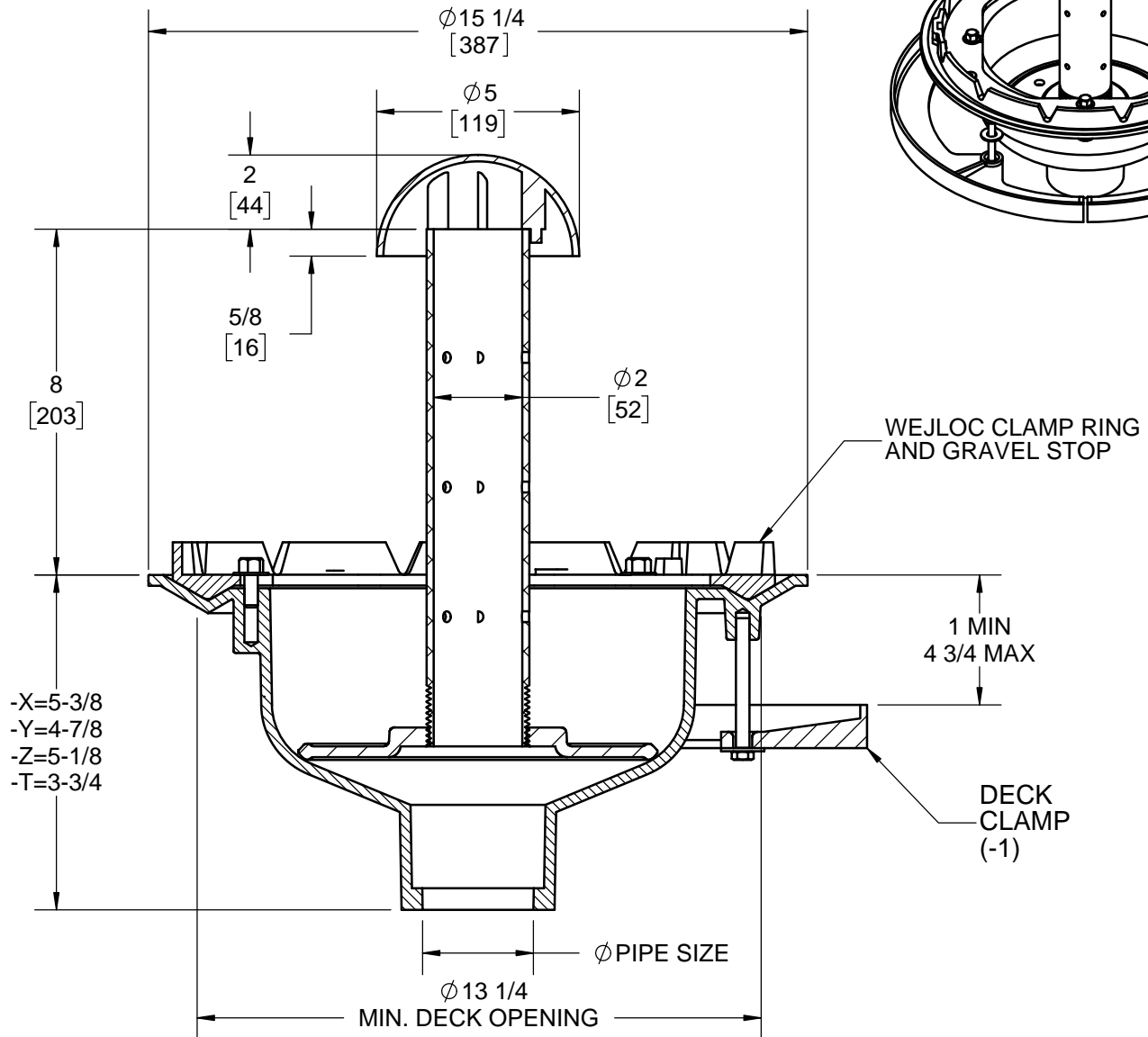


SPECIFICATION:

JOSAM 21500-Q91 SERIES COATED CAST IRON OVERFLOW DRAIN WITH LARGE SUMP & FLANGE, BOTTOM OUTLET INSIDE CAULK CONNECTION, WEJLOC NON-PUNCTURING FLASHING CLAMP WITH INTEGRAL GRAVEL STOP, PERFORATED BRASS STANDPIPE AND BRASS DOME.

OVERFLOW DRAIN

SERIES **21500-Q91**



-X=5-3/8
 -Y=4-7/8
 -Z=5-1/8
 -T=3-3/4

TYPE	PIPE SIZE	EST WGT LBS
21502-Q91	2"	40
21503-Q91	3"	41
21504-Q91	4"	42
21505-Q91	5"	43
21506-Q91	6"	44

WARNING: Cancer and Reproductive Harm - www.P65Warnings.ca.gov

DATE OF LAST CHANGE: 6/15/18
 DIMENSIONS ARE SUBJECT TO MANUFACTURERS TOLERANCES AND CHANGE WITHOUT NOTICE. WE CAN ASSUME NO RESPONSIBILITY FOR USE OF SUPERSEDED OR VOID DATA.



NOTES