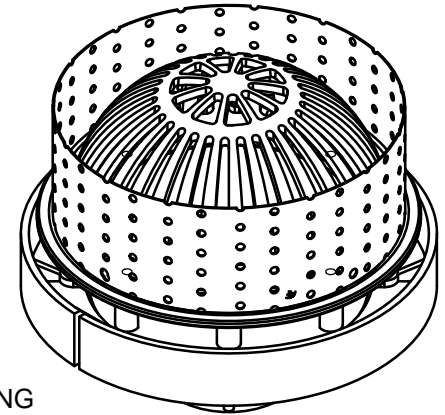
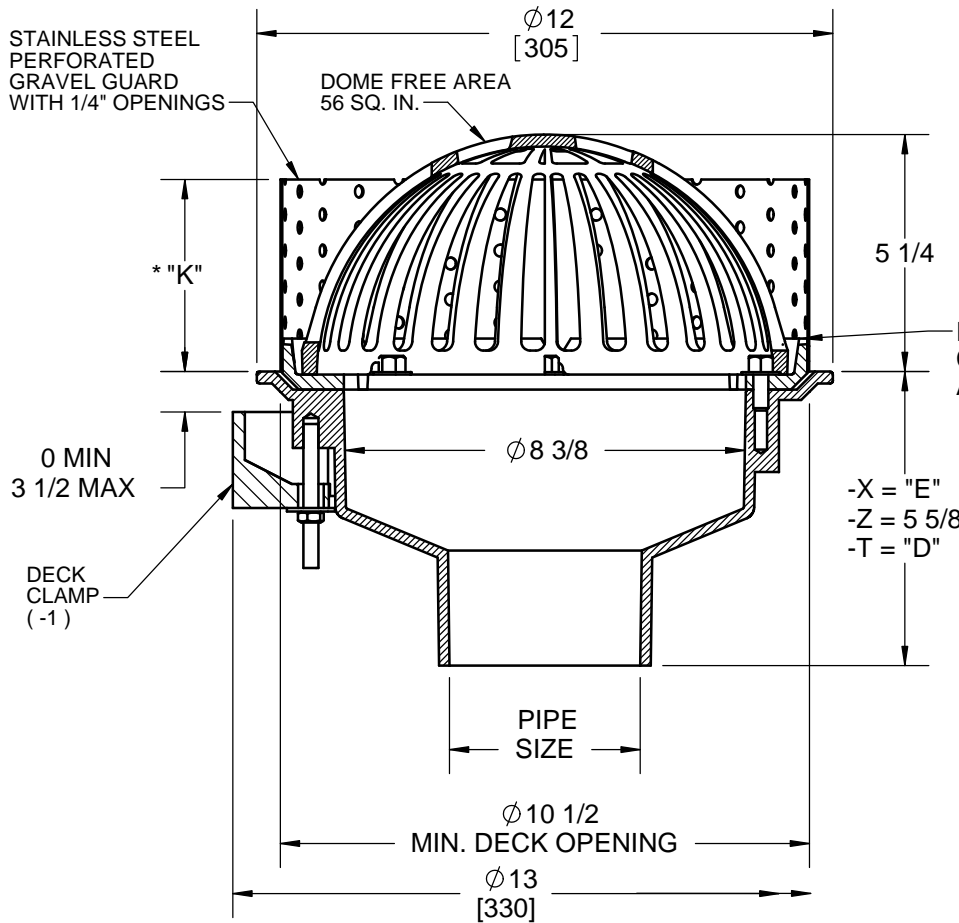


SPECIFICATION:

JOSAM 22010-19 SERIES COATED CAST IRON ROOF DRAIN, MEDIUM BEEHIVE DOME, NON-PUNCTURING CLAMP RING WITH INTEGRAL GRAVEL STOP AND STAINLESS PERFORATED GRAVEL GUARD, MEDIUM SUMP WITH ROOF FLANGE AND BOTTOM OUTLET.

ROOF DRAIN
MEDIUM SUMP, BEEHIVE DOME,
STAINLESS GRAVEL GUARD

SERIES **22010-19**



FLASHING CLAMP DEVICE AND GRAVEL STOP

-X = "E"
-Z = 5 5/8"
-T = "D"

PIPE SIZE	"D" DIM.	"E" DIM
2"	4 3/4"	6 1/4"
3"	4 3/4"	6 1/4"
4"	4 1/2"	6 1/4"
5"	4 3/8"	6"
6"	4"	5 3/4"

* "K" DIM. SPECIFY ON ORDER - MAX. 4"

** -10 EXTENSION 1" STANDARD

2"	PIPE SIZE	-10	FIXED EXT. COLLAR, CAST IRON (SPECIFY HEIGHT **)
3"	PIPE SIZE	-10-20	FIXED EXT. COLLAR, GALVANIZED (SPECIFY HEIGHT **)
4"	PIPE SIZE	-17	2" HIGH SOLID CLAMPING COLLAR
5"	PIPE SIZE	-19	CLAMP COLLAR WITH PERF. STAINLESS GRAVEL GUARD
6"	PIPE SIZE	-20	GALVANIZED CAST IRON PARTS
		-21	GALVANIZED CAST IRON DOME ONLY
-X	INSIDE CAULK OUTLET	-23	ROUGH BRONZE DOME
-Z	NO-HUB SPIGOT OUTLET	-26	ALUMINUM DOME
-T	THREADED OUTLET	-66	NO-HUB SIDE OUTLET (2" THRU 6" OUTLETS ONLY)
		-VP	VANDAL-PROOF DOME
-1	DECK CLAMP ASSEMBLY	-AER	ADJUSTABLE EXTENSION WITH THREADED RODS
-1C	DRAIN RECEIVER CLIPS (MIN. DECK OPENING ϕ 16.5")	-ARE	ACID-RESISTANT EPOXY COATING
-2	DRAIN RECEIVER	-IRMA	PERFORATED STAINLESS STEEL EXTENSION
-3	DECK CLAMP ASY. AND DRAIN RECEIVER		
-3C	DRAIN RECEIVER AND DRAIN RECEIVER CLIPS		

DATE OF LAST CHANGE: 6/26/18

DIMENSIONS ARE SUBJECT TO MANUFACTURERS TOLERANCES AND CHANGE WITHOUT NOTICE. WE CAN ASSUME NO RESPONSIBILITY FOR USE OF SUPERSEDED OR VOID DATA.

JOSAM
MICHIGAN CITY, INDIANA

NOTES