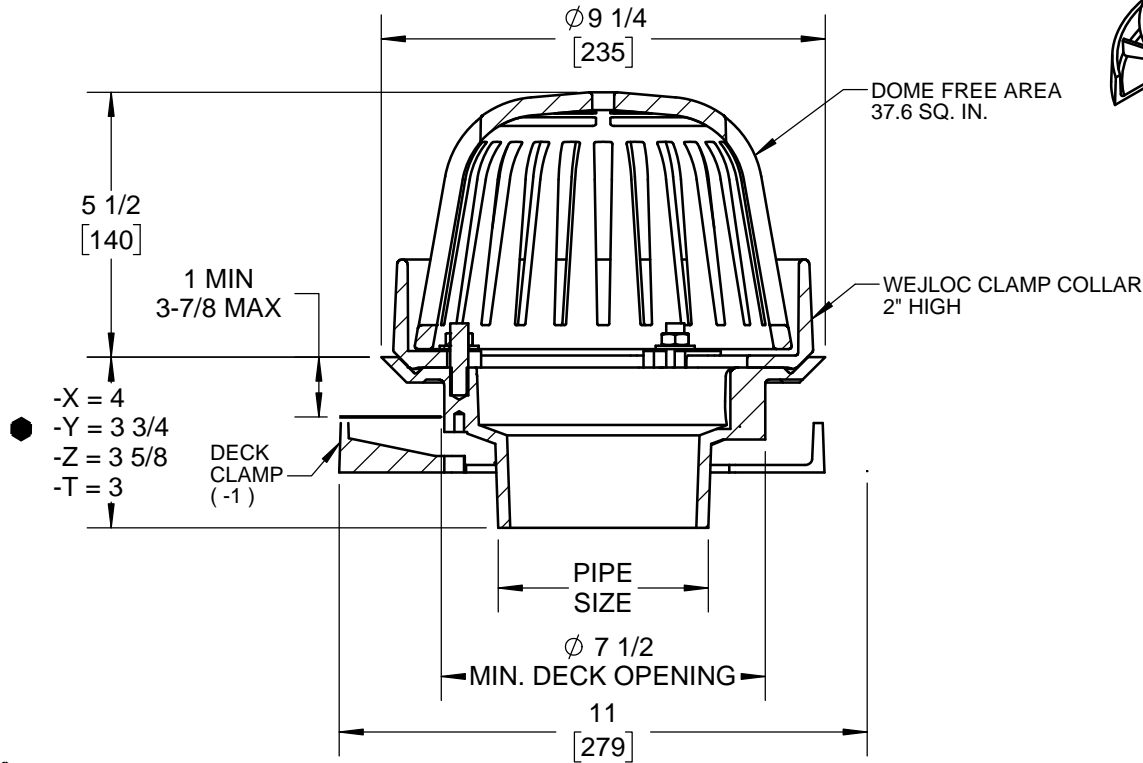
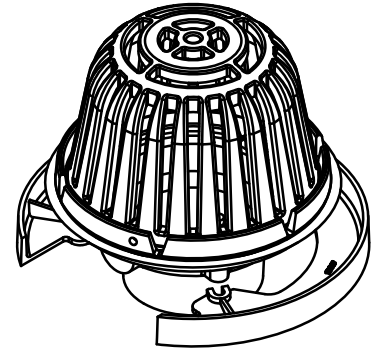


SPECIFICATION:

JOSAM 22080-17 SERIES COATED CAST IRON ROOF DRAIN, BEEHIVE DOME, WEJLOC® 2" HIGH NON-PUNCTURING CLAMP COLLAR, SMALL SUMP WITH ROOF FLANGE AND BOTTOM OUTLET.

**ROOF DRAIN
SMALL SUMP, HIGH DOME,
2" CLAMP COLLAR**

SERIES **22080-17**



- X = 4
- Y = 3 3/4
- Z = 3 5/8
- T = 3

● GASKET ON -Y CONNECTION CONFORMS WITH ASTM-C564

* STANDARD DRAIN RECEIVER CANNOT BE USED WITH -TSO OPTION. CONTACT FACTORY. DECK CLAMP CANNOT BE USED WITH -TSO OPTION IN 4" SIZE.

**-10 EXTENSION 1" STANDARD

2"	PIPE SIZE		-10-20	FIXED EXT. COLLAR, GALVANIZED (SPECIFY HEIGHT **)
3"	PIPE SIZE	X	-17	2" HIGH SOLID CLAMPING COLLAR
4"	PIPE SIZE		-20	GALVANIZED CAST IRON PARTS
			-21	GALVANIZED CAST IRON DOME ONLY
-X	INSIDE CAULK OUTLET		-23	ROUGH BRONZE DOME
-Y	HUB OUTLET WITH GASKET		-26	ALUMINUM DOME
-Z	NO-HUB SPIGOT OUTLET		-33	SS MESH-COVERED DOME
-T	THREADED OUTLET		-TSO*	THREADED SIDE OUTLET
-1	DECK CLAMP ASSEMBLY		-VP	VANDAL-PROOF DOME
-1C	DRAIN RECEIVER CLIPS (MIN. DECK OPENING $\phi 16.5"$)			
-2	DRAIN RECEIVER			
-3	DECK CLAMP ASSEMBLY AND DRAIN RECEIVER			
-3C	DRAIN RECEIVER AND DRAIN RECEIVER CLIPS			
-10	FIXED EXT. COLLAR, CAST IRON (SPECIFY HEIGHT **)			

DATE OF LAST CHANGE: 6/26/18

DIMENSIONS ARE SUBJECT TO MANUFACTURERS TOLERANCES AND CHANGE WITHOUT NOTICE. WE CAN ASSUME NO RESPONSIBILITY FOR USE OF SUPERSEDED OR VOID DATA.

JOSAM
MICHIGAN CITY, INDIANA

NOTES