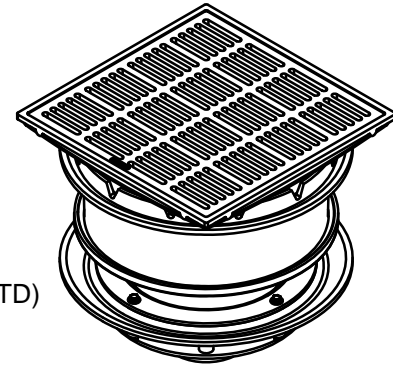
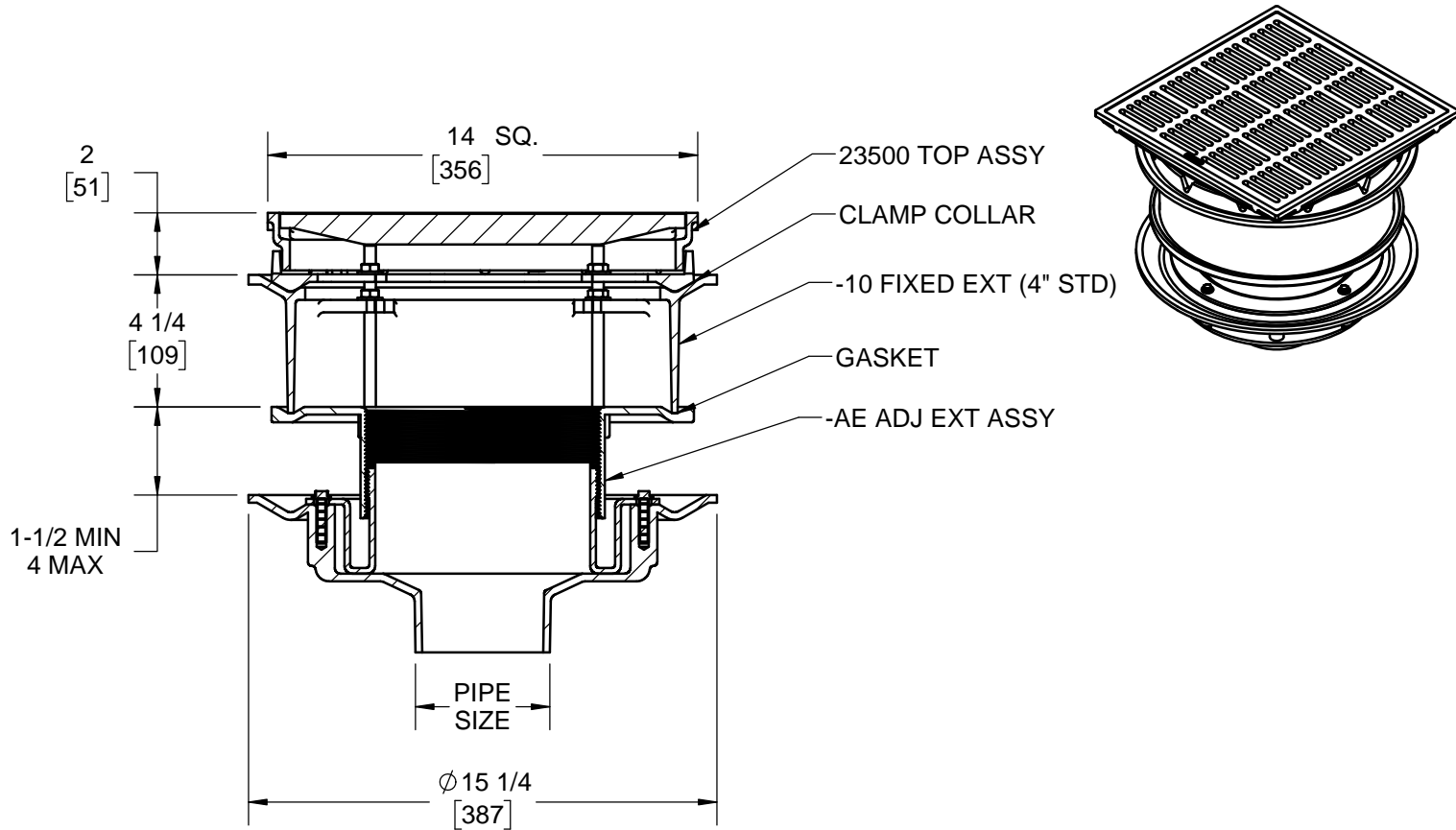


SPECIFICATION:

JOSAM 23500 SERIES COATED CAST IRON PROMENADE TOP PLAZA DRAIN, FIXED EXTENSION (4" STD.) AND ADJUSTABLE EXTENSION.

**PLAZA DRAIN
CUSTOM ASSY**

SERIES **23500-AE-10**



WARNING: Cancer and Reproductive Harm - www.P65Warnings.ca.gov

	2"	PIPE SIZE		-1C	DRAIN RECEIVER CLIPS (MIN. DECK OPENING ϕ 16")
	3"	PIPE SIZE		-2	DRAIN RECEIVER
	4"	PIPE SIZE		-3	DECK CLAMP ASY. AND DRAIN RECEIVER
	5"	PIPE SIZE		-3C	DRAIN RECEIVER AND DRAIN RECEIVER CLIPS
	6"	PIPE SIZE		-4	SECONDARY FLASHING CLAMP (-AE ONLY)
	8"	PIPE SIZE		-6	EXTRA WIDE FLANGE DRAIN BODY (-X OUTLET ONLY)
	10"	PIPE SIZE (AVAILABLE IN NO-HUB ONLY)	X	-10	FIXED EXT. COLLAR, CAST IRON (SPECIFY HEIGHT **)
				-10-20	FIXED EXT. COLLAR, GALVANIZED (SPECIFY HEIGHT **)
	-T	THREADED OUTLET		-18	EXTRA-DEEP SUMP
	-X	INSIDE CAULK OUTLET		-20	GALVANIZED CAST IRON PARTS
	-Y	HUB OUTLET WITH GASKET (2", 3", & 4" SIZES ONLY)		-36	DUCTILE IRON GRATE
	-Z	NO-HUB SPIGOT OUTLET		-37-50	HVY-DUTY DUCTILE UNDERGRATE LAMINATED TOP, NIKALOY
				-37-51	HVY-DUTY DUCTILE UNDERGRATE LAMINATED TOP, BRONZE
X	-AE	THREADED LEVELZE ADJ. EXT.		-50	CAST IRON UNDERGRATE LAMINATED TOP, NIKALOY
	-IRMA	PERFORATED STAINLESS STEEL EXTENSION		-51	CAST IRON UNDERGRATE LAMINATED TOP, BRONZE
	-CR	CLAMPING DRAIN RECEIVER (MIN. DECK OPENING ϕ 16")		-66	NO-HUB SIDE OUTLET (2" THRU 6" OUTLETS ONLY)
	-PG	PARKING GRATE - 110 SQ. IN. F.A. (DUCTILE IRON ONLY)			
	-1	DECK CLAMP ASSEMBLY		-VP	SECURED GRATE, VANDAL-PROOF SCREWS

DATE OF LAST CHANGE: 6/26/18
 DIMENSIONS ARE SUBJECT TO MANUFACTURERS TOLERANCES AND CHANGE WITHOUT NOTICE. WE CAN ASSUME NO RESPONSIBILITY FOR USE OF SUPERSEDED OR VOID DATA.



NOTES