

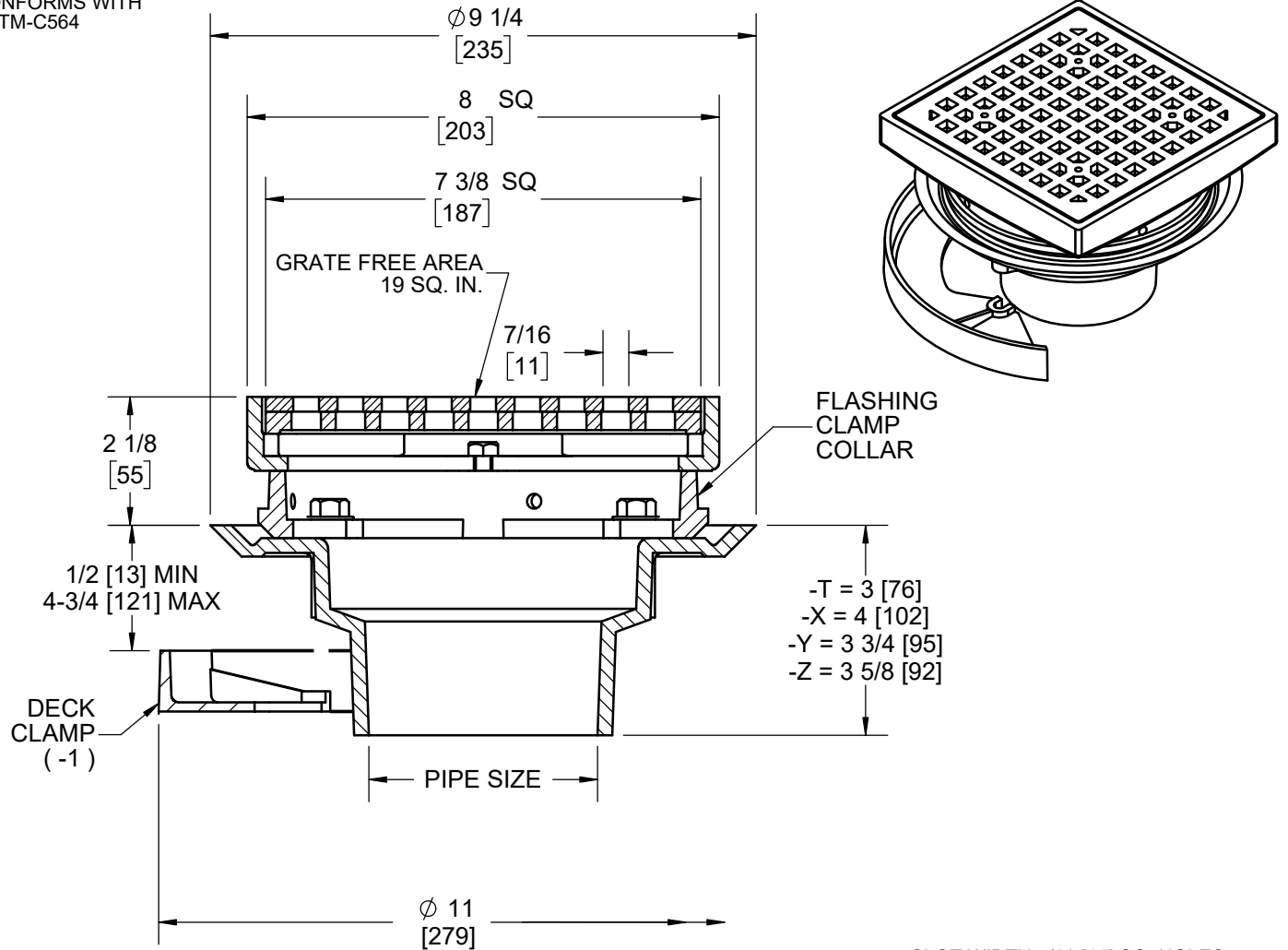
SPECIFICATION:

JOSAM 23740 SERIES COATED CAST IRON ROOF DRAIN, SQUARE HEAVY-DUTY DUCTILE IRON UNDERGRATE WITH NIKALOY TOP SET IN SQUARE SECURED FRAME, NON-PUNCTURING FLASHING COLLAR WITH WEEPHOLES FOR 2" ROOF FILL, SMALL SUMP WITH WIDE ROOF FLANGE AND BOTTOM OUTLET.

ROOF DRAIN
HEAVY-DUTY, PROMENADE TOP

SERIES **23740**

● CONFORMS WITH
ASTM-C564



SLOT WIDTH 7/16 [11] SQ. HOLES

*-TSO BODY CANNOT BE USED WITH DRAIN RECEIVER (-2, -3 & -3C)

**-12 EXTENSION 1 [25] STANDARD

2"	PIPE SIZE	-1	DECK CLAMP ASSEMBLY
3"	PIPE SIZE	-1C	DRAIN RECEIVER CLIPS (MIN. DECK OPENING ϕ 10.25")
4"	PIPE SIZE	-2	DRAIN RECEIVER
		-3	DECK CLAMP ASY. AND DRAIN RECEIVER
-T	THREADED OUTLET	-3C	DRAIN RECEIVER AND DRAIN RECEIVER CLIPS
-X	INSIDE CAULK OUTLET	-12	EXT. FLASHING COLLAR, CAST IRON (SPECIFY HEIGHT **)
-Y	HUB OUTLET WITH GASKET	-51	SATIN FINISH BRONZE TOP
-Z	NO-HUB SPIGOT OUTLET	-20	GALVANIZED
-TSO *	THREADED SIDE OUTLET	-VP	SECURED GRATE, VANDAL-PROOF SCREWS

DATE OF LAST CHANGE: 06/04/20

DIMENSIONS ARE SUBJECT TO MANUFACTURERS TOLERANCES AND CHANGE WITHOUT NOTICE. WE CAN ASSUME NO RESPONSIBILITY FOR USE OF SUPERSEDED OR VOID DATA.

JOSAM

MICHIGAN CITY, INDIANA

NOTES