

SPECIFICATION:

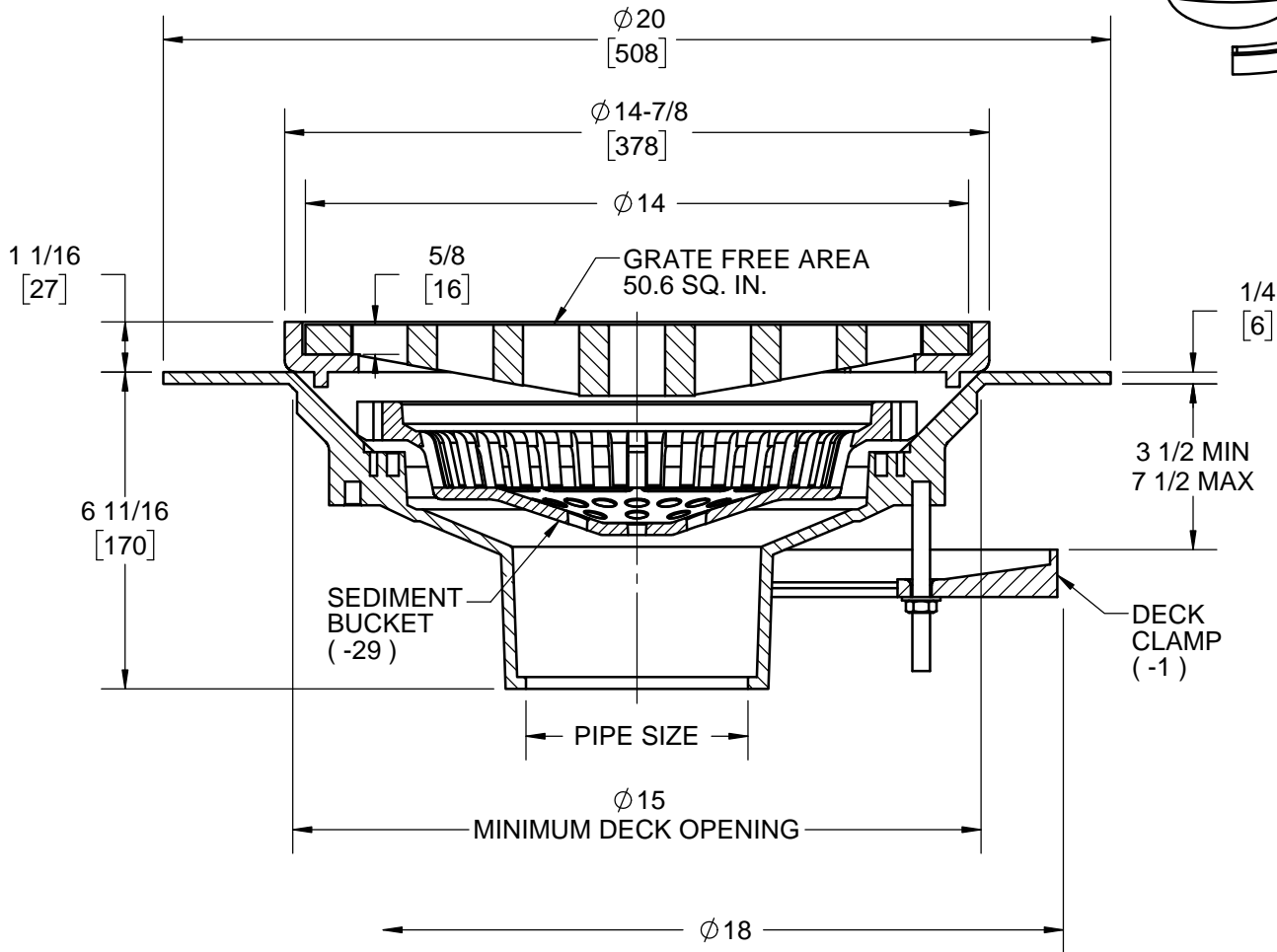
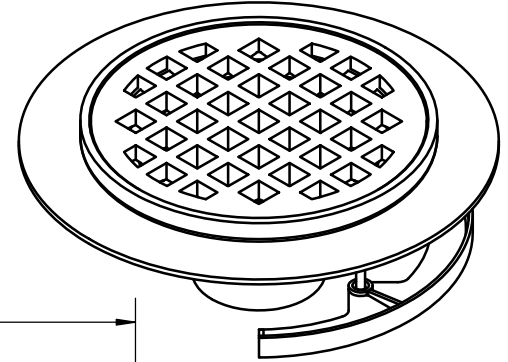
JOSAM SERIES 24060 COATED CAST IRON ROOF DRAIN, ROUND SPECIAL-DUTY GRATE, LARGE SUMP WITH WIDE DECK FLANGE AND BOTTOM INSIDE CAULK OUTLET CONNECTION.

**ROOF DRAIN
COMPOSITION DECK**

SERIES **24060**

SLOT WIDTH 1-3/16 SQUARE

** ADD 1/4" WHEN FURNISHED WITH NIKALOY OR BRASS TOP*



WARNING: Cancer and Reproductive Harm - www.P65Warnings.ca.gov

4"	PIPE SIZE		-31	CHAIN ANCHORED GRATE
6"	PIPE SIZE		-50	SATIN FINISH NIKALOY TOP
8"	PIPE SIZE		-51	SATIN FINISH BRONZE TOP
-1	DECK CLAMP ASSEMBLY		-VP	SECURED GRATE
-20	GALVANIZED CAST IRON PARTS			
-29	SEDIMENT BUCKET, CAST IRON	X	-X	INSIDE CAULK OUTLET
-29-20	SEDIMENT BUCKET, GALVANIZED			

DATE OF LAST CHANGE: 6/28/18
 DIMENSIONS ARE SUBJECT TO MANUFACTURERS TOLERANCES AND CHANGE WITHOUT NOTICE. WE CAN ASSUME NO RESPONSIBILITY FOR USE OF SUPERSEDED OR VOID DATA.



NOTES