

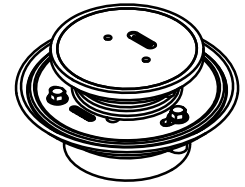
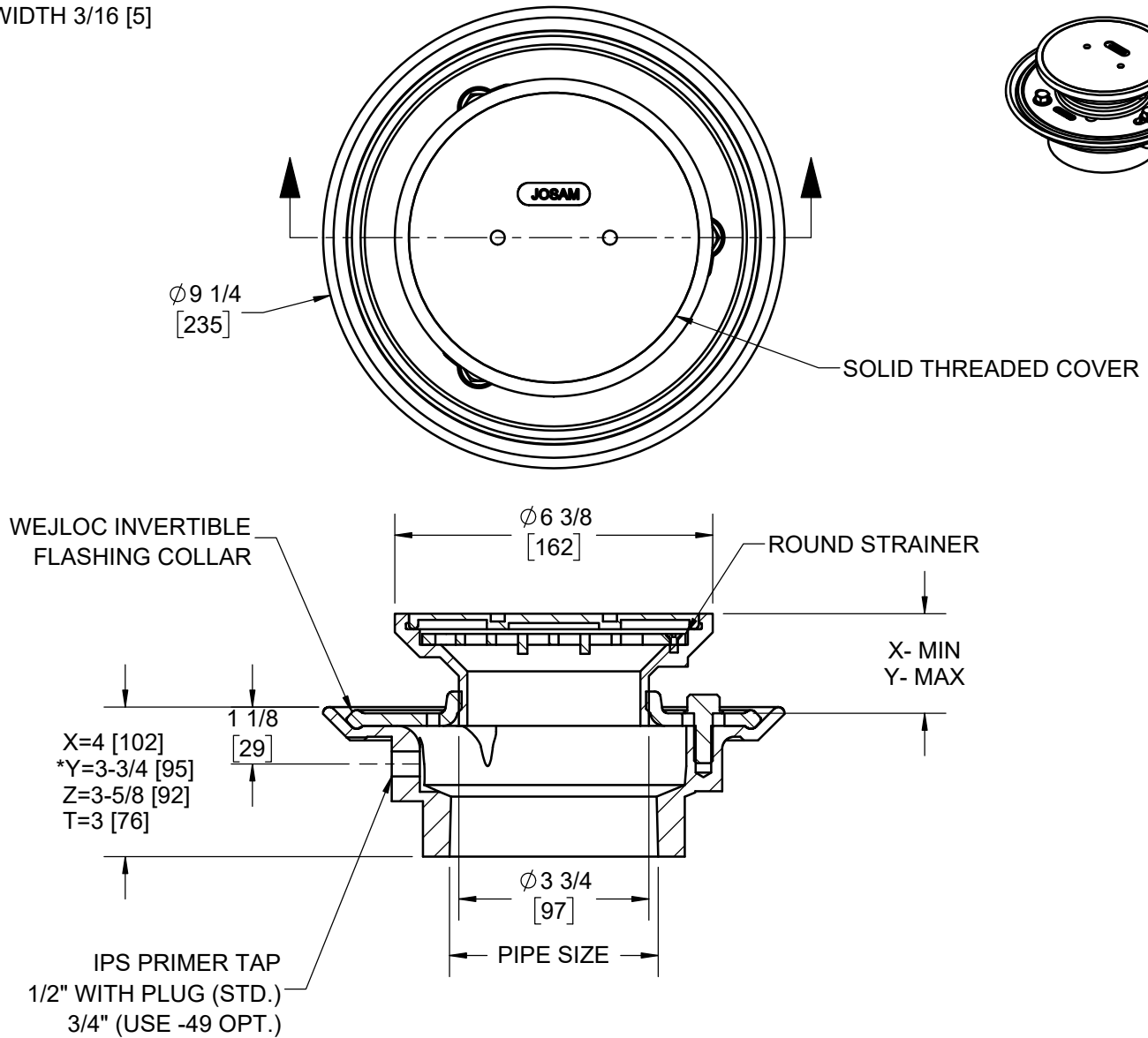
SPECIFICATION:

JOSAM SERIES 30000-F CAST IRON FLOOR DRAIN, TWO-PIECE BODY WITH DOUBLE DRAINAGE FLANGE AND 1/2" PRIMER TAP, WEJLOC® INVERTIBLE FLASHING COLLAR, WEEPHOLES, BOTTOM OUTLET CONNECTION AND NIKALOY ADJUSTABLE ROUND STRAINER WITH SOLID THREADED COVER.

**FLOOR DRAIN
ADJUSTABLE FLOOR DRAIN**

SERIES **30000-F**

SLOT WIDTH 3/16 [5]



*GASKET ON -Y CONNECTION CONFORMS WITH ASTM-C564

STRAINER	X	Y	FREE AREA
-F	1-3/8	2-3/8	6.2

2"	PIPE SIZE	-91	ROUGH BRONZE BODY
3"	PIPE SIZE	-92	GALVANIZED CAST IRON PARTS
4"	PIPE SIZE	-2	BRONZE ADJUSTABLE STRAINER
-TSO	THREADED SIDE OUTLET	-63	SPANNER WRENCH
-WT	WITH TRAP	-80	PERFORATED STAINLESS STEEL BASKET
-PD	PRISON DRAIN	-T	THREADED OUTLET
-ARE	ACID-RESISTING EPOXY	-X	INSIDE CAULK OUTLET
-CP	CHROME PLATED STRAINER	-Y	*HUB OUTLET WITH GASKET
-49	3/4" PRIMER TAP	-Z	NO-HUB SPIGOT OUTLET

DATE OF LAST CHANGE: 07/25/18

DIMENSIONS ARE SUBJECT TO MANUFACTURERS TOLERANCES AND CHANGE WITHOUT NOTICE. WE CAN ASSUME NO RESPONSIBILITY FOR USE OF SUPERSEDED OR VOID DATA.

JOSAM

MICHIGAN CITY, INDIANA

NOTES