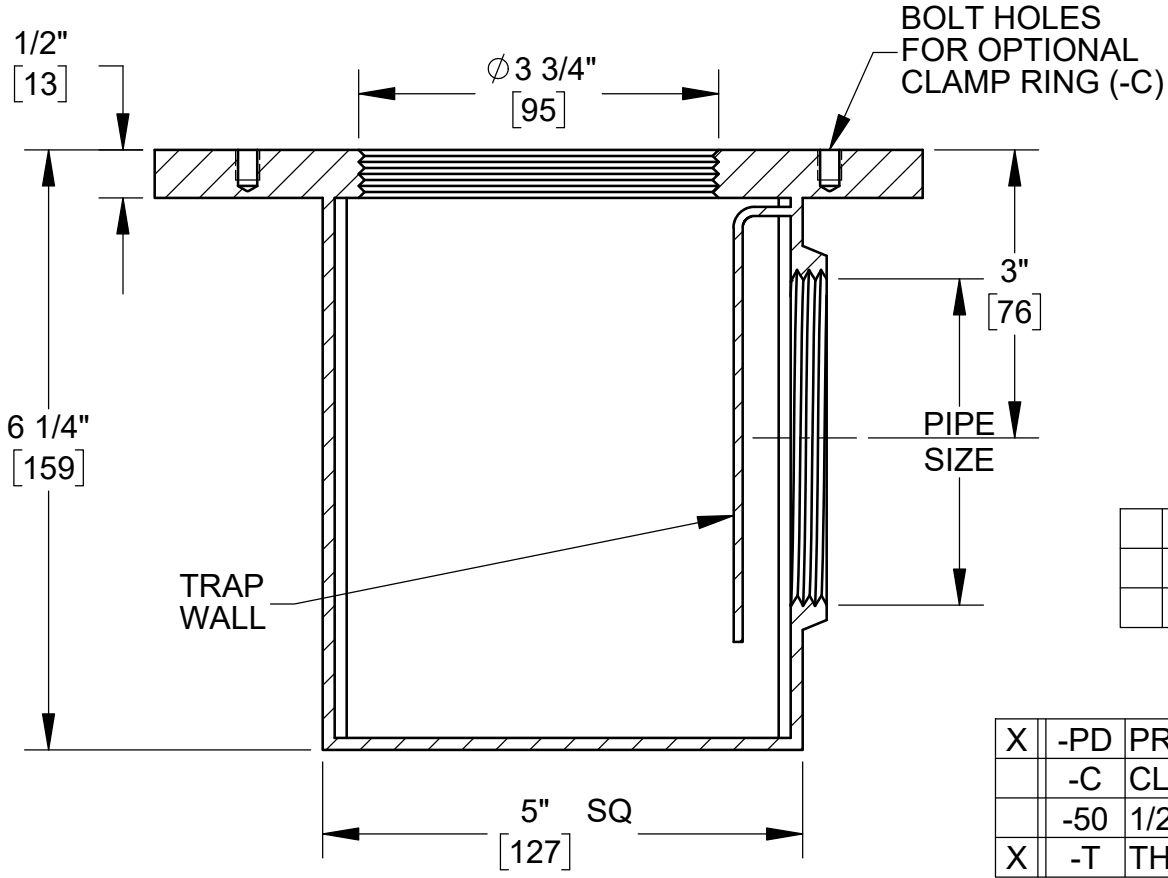
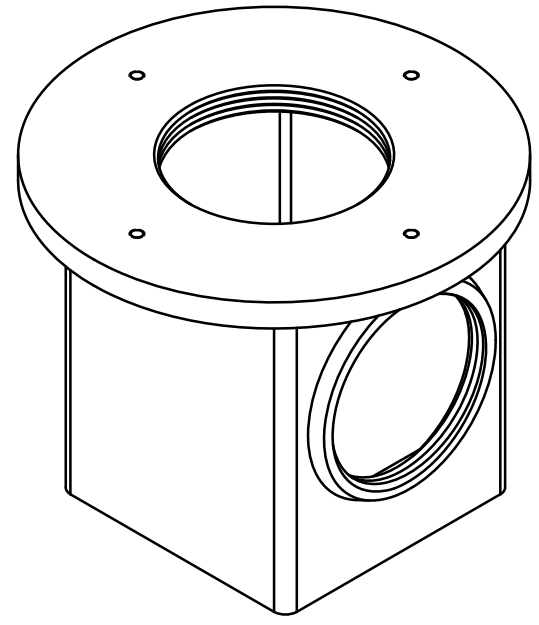
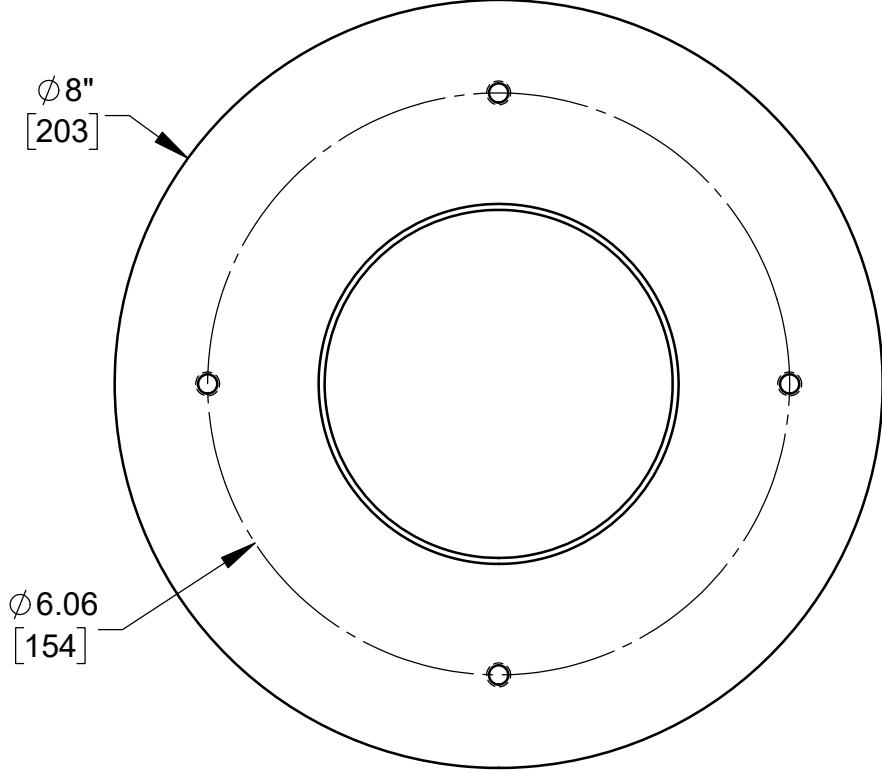


SPECIFICATION:

JOSAM 30000-PD SERIES GALVANIZED STEEL SECURITY FLOOR DRAIN WITH FLASHING FLANGE, THREADED SIDE OUTLET, INTEGRAL TRAP WALL AND THREADED TO RECEIVE JOSAM ADJUSTABLE STRAINER. FURNISHED WITH SECURITY SCREWS.

**FLOOR DRAIN
BODY ONLY**

SERIES **30000-PD**



PIPE SIZE	
	2"
	3"

X	-PD	PRISON DRAIN
	-C	CLAMP RING
	-50	1/2" PRIMER TAP
X	-T	THREADED OUTLET

WARNING: Cancer and Reproductive Harm - www.P65Warnings.ca.gov

DATE OF LAST CHANGE: 07/25/18

DIMENSIONS ARE SUBJECT TO MANUFACTURERS TOLERANCES AND CHANGE WITHOUT NOTICE. WE CAN ASSUME NO RESPONSIBILITY FOR USE OF SUPERSEDED OR VOID DATA.



MICHIGAN CITY, INDIANA

NOTES