

SPECIFICATION:

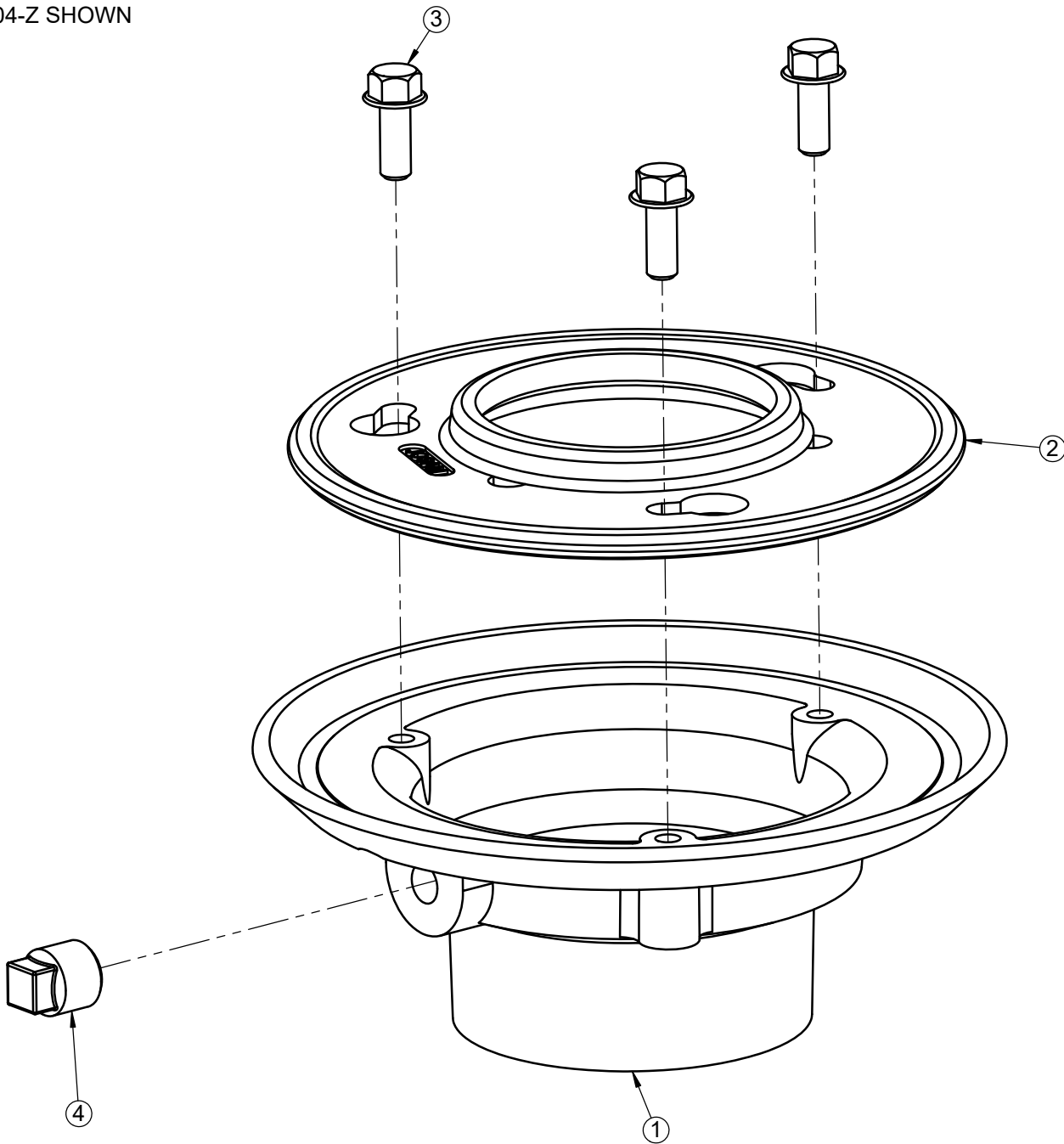
JOSAM SERIES 30000 REPLACEMENT PARTS GUIDE.

**FLOOR DRAIN
REPLACEMENT PARTS**

SERIES

30000

30004-Z SHOWN



POS. NO.	PART NUMBER	DESCRIPTION	QTY.
1	-----	BODY	1
2	009748	COLLAR	1
3	H38167C48	HEX WASHER HEAD MACHINE SCREW 3/8-16 X 1.5	3
4	58540-1 2	PLUG, SQARE HEAD, 1/2"	1

WARNING: Cancer and Reproductive Harm - www.P65Warnings.ca.gov

DATE OF LAST CHANGE: 07/24/18

DIMENSIONS ARE SUBJECT TO MANUFACTURERS TOLERANCES AND CHANGE WITHOUT NOTICE. WE CAN ASSUME NO RESPONSIBILITY FOR USE OF SUPERSEDED OR VOID DATA.



MICHIGAN CITY, INDIANA

NOTES