

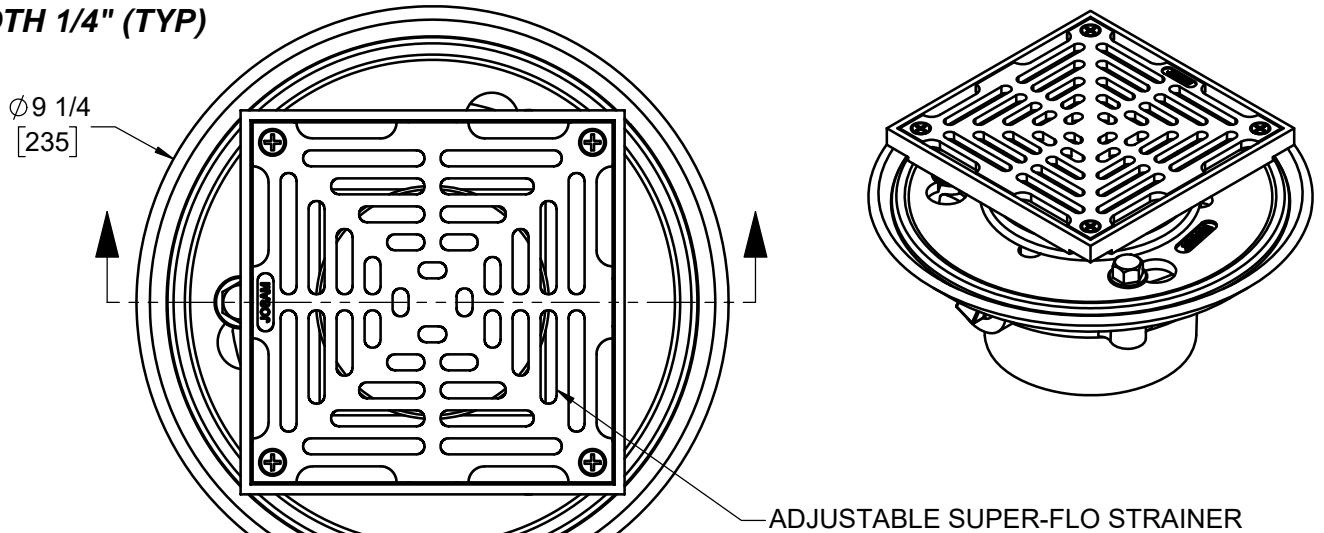
SPECIFICATION:

JOSAM SERIES 30000-S CAST IRON FLOOR DRAIN, TWO-PIECE BODY WITH DOUBLE DRAINAGE FLANGE AND 1/2" PRIMER TAP, WEJLOC® INVERTIBLE FLASHING COLLAR, WEEPHOLES, BOTTOM OUTLET CONNECTION AND NIKALOY ADJUSTABLE SQUARE SUPER-FLO® STRAINER. HEELPROOF AND ADA COMPLIANT.

**FLOOR DRAIN
ADJUSTABLE STRAINER**

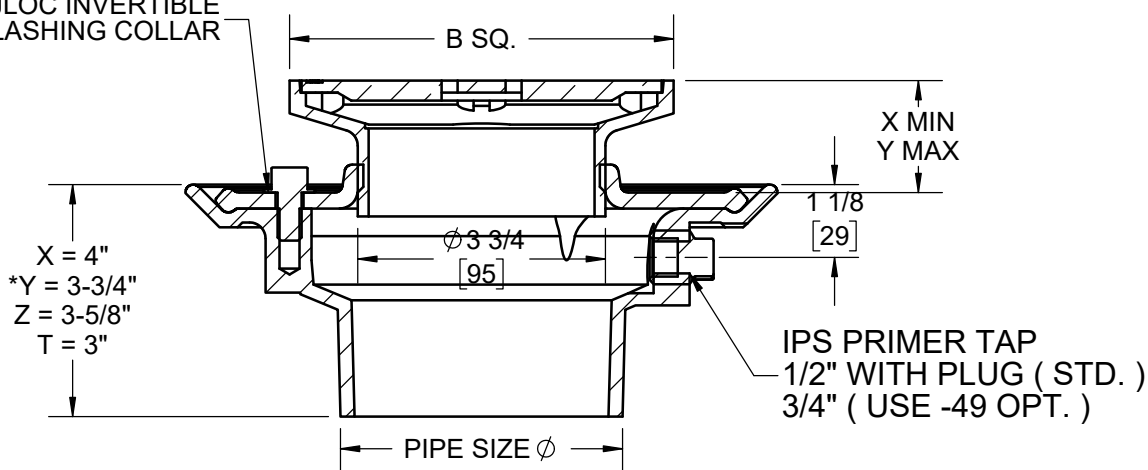
SERIES **30000-S**

SLOT WIDTH 1/4" (TYP)



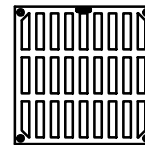
ADJUSTABLE SUPER-FLO STRAINER

WEJLOC INVERTIBLE FLASHING COLLAR



IPS PRIMER TAP
1/2" WITH PLUG (STD.)
3/4" (USE -49 OPT.)

*GASKET ON -Y CONNECTION CONFORMS WITH ASTM-C564



* NOT SUPER-FLO® DESIGN - MEETS ADA - SEE SEPARATE SUBMITTAL

	STRAINER	B	X	Y	FREE AREA
	-5S	5	7/8	1-7/8	9.1
	-6S	6	7/8	2-1/4	13.8
	-8S	8	1-1/4	2-1/2	24.5
	* -9S	9	1-1/4	2-1/2	28.0

	2"	PIPE SIZE			-SS	STAINLESS STEEL TOP
	3"	PIPE SIZE			-2	BRONZE ADJUSTABLE STRAINER
	4"	PIPE SIZE			-CP	CHROME PLATED STRAINER
	-TSO	THREADED SIDE OUTLET			-HD	HEAVY DUTY LOAD RATING (5S & 6S ONLY)
	-WT	WITH TRAP			-J	BACKWATER VALVE
	-PD	PRISON DRAIN			-VP	SECURED GRATE, VANDAL-PROOF SCREWS
	-ARE	ACID-RESISTING EPOXY			-T	THREADED OUTLET
	-49	3/4" PRIMER TAP			-X	INSIDE CAULK OUTLET
	-91	ROUGH BRONZE BODY			-Y	HUB OUTLET WITH GASKET*
	-92	GALVANIZED CAST IRON PARTS			-Z	NO-HUB SPIGOT OUTLET
	-80	PERFORATED STAINLESS STEEL BASKET			-DBC	DEBRIS COVER

DATE OF LAST CHANGE: 09/28/20

DIMENSIONS ARE SUBJECT TO MANUFACTURERS TOLERANCES AND CHANGE WITHOUT NOTICE. WE CAN ASSUME NO RESPONSIBILITY FOR USE OF SUPERSEDED OR VOID DATA.



MICHIGAN CITY, INDIANA

NOTES

WARNING: Cancer and Reproductive Harm - www.P65Warnings.ca.gov