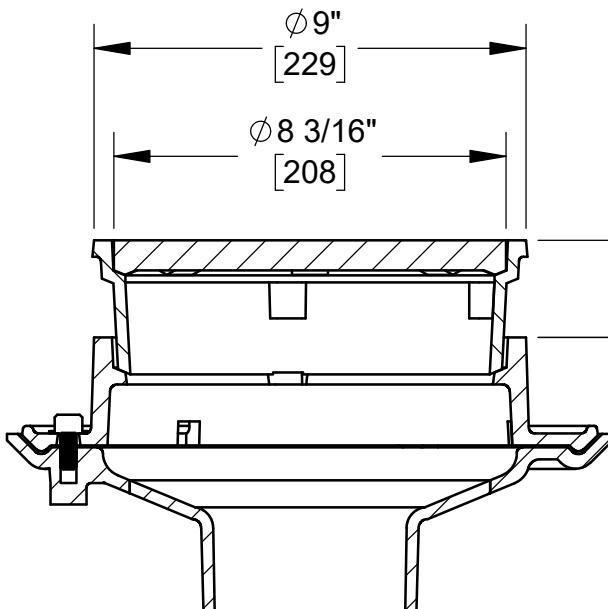
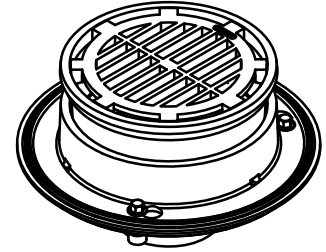
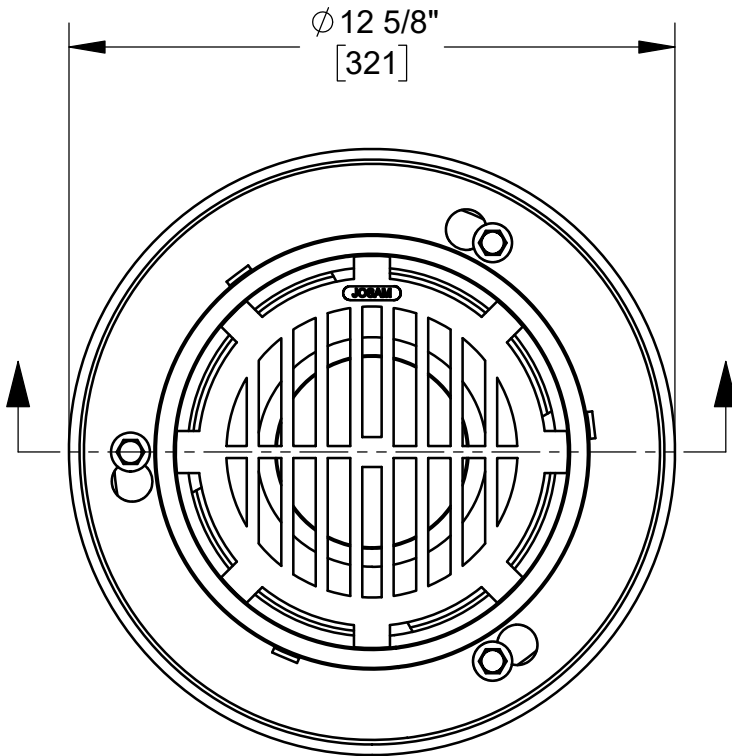


**SPECIFICATION:**

JOSAM SERIES 32100 FLOOR DRAIN WITH (-44) CAST IRON FIXED-HEIGHT EXTENSION.

**FLOOR DRAIN**  
**9" TOP, SUPER-FLO**  
**WITH EXTENSION**

SERIES **32100-44**



2" STD.  
 [51]  
 OR SPECIFY \_\_\_\_\_

2"  
 [51]

SEE 32100 SUBMITTAL FOR OTHER DIMENSIONS, DETAILS, AND OPTIONS.

WARNING: Cancer and Reproductive Harm - www.P65Warnings.ca.gov

DATE OF LAST CHANGE: 07/23/18

DIMENSIONS ARE SUBJECT TO MANUFACTURERS TOLERANCES AND CHANGE WITHOUT NOTICE. WE CAN ASSUME NO RESPONSIBILITY FOR USE OF SUPERSEDED OR VOID DATA.

**JOSAM**  
 MICHIGAN CITY, INDIANA

NOTES