

SPECIFICATION:

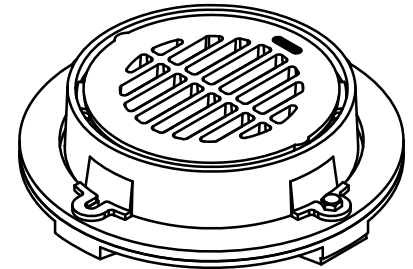
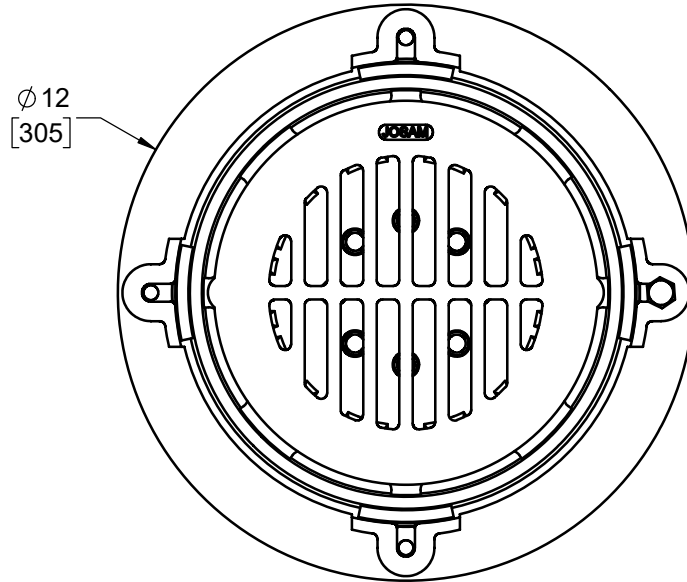
JOSAM 32100-SS-81 SERIES TYPE 316 CAST STAINLESS STEEL LEVELEZE® FLOOR DRAIN, DOUBLE DRAINAGE FLANGE, WEEPHOLES, ROUND TOP WITH LOOSE-SET ANTI-TILTING SUPER-FLO® GRATE WITH PERIMETER DRAINAGE SLOTS, SHALLOW SEDIMENT BUCKET, BOTTOM OUTLET, BUTT-WELD CONNECTION FOR SCHEDULE 40 PIPE.

FLOOR DRAIN
9" ROUND TOP, STAINLESS
STEEL WITH BUCKET

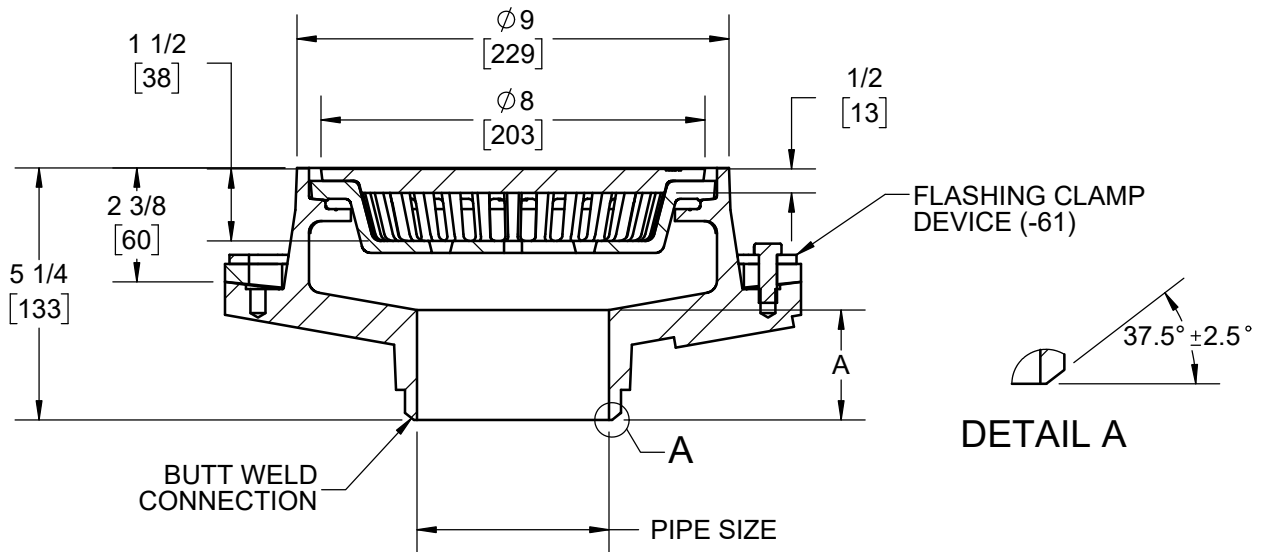
SERIES **32100-SS-81**

SLOT WIDTH: 15/32
 GRATE FREE AREA: 21.8 SQ. IN.

FORMERLY 54240 SERIES



	PIPE SIZE	A
	2"	1 7/8
	3"	2 5/16
	4"	2 1/2



PRODUCT IS NON-CANCELABLE AND NON-RETURNABLE NAME: _____ SIGNATURE: _____ DATE: _____

X	-81	SLOTTED SS BUCKET		-23	9" x 3" OVAL FUNNEL (SAME MATERIAL AS GRATE)
	-8	SOLID COVER (SPECIFY MATERIAL)		-23-67	9" x 3" OVAL FUNNEL (TYPE 316 SS)
	-9	SS MESH ON UNDERSIDE OF GRATE		-25	TYPE 304 SS RECESSED CLOSURE PLUG
	-21	4" ROUND FUNNEL (SAME MATERIAL AS GRATE)		-26	MOLDED ABS RECESSED CLOSURE PLUG
	-21-67	4" ROUND FUNNEL (TYPE 316SS)		-34	"T" HANDLE FOR RECESSED PLUG
	-22	6" ROUND FUNNEL (SAME MATERIAL AS GRATE)		-61	FLASHING CLAMP DEVICE
	-22-67	6" ROUND FUNNEL (TYPE 316SS)		-69	SCHEDULE 10S BUTT WELD CONNECTION

DATE OF LAST CHANGE: 04/16/21

DIMENSIONS ARE SUBJECT TO MANUFACTURERS TOLERANCES AND CHANGE WITHOUT NOTICE. WE CAN ASSUME NO RESPONSIBILITY FOR USE OF SUPERSEDED OR VOID DATA.



MICHIGAN CITY, INDIANA

NOTES

WARNING: Cancer and Reproductive Harm - www.P65Warnings.ca.gov