

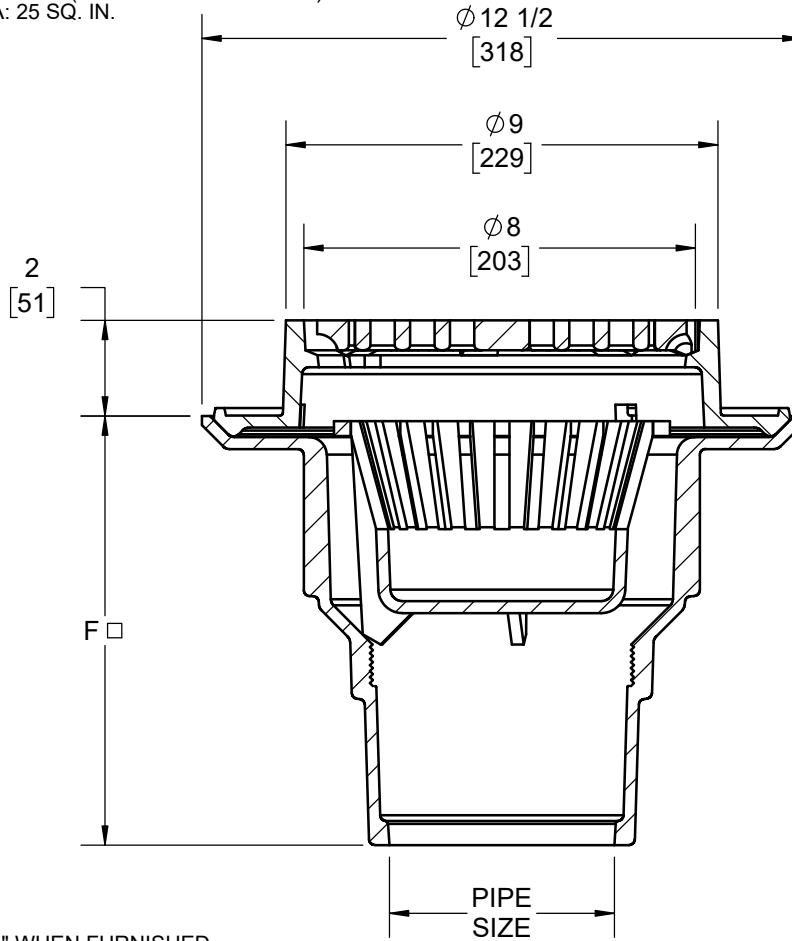
SPECIFICATION:

JOSAM 32160-HP-7-81 SERIES COATED CAST IRON FLOOR DRAIN WITH DOUBLE DRAINAGE FLANGE, WEEP-HOLES, BOTTOM OUTLET, INSIDE CAULK CONNECTION, SEDIMENT BUCKET, ROUND TOP AND EXTRA HEAVY-DUTY DUCTILE IRON GRATE.

FLOOR DRAIN
9" ROUND, HEEL-PROOF
DUCTILE IRON TOP

SERIES 32160-HP-7-81

SLOT WIDTH: 1/4" (ADA AND HEEL-PROOF)
 FREE AREA: 25 SQ. IN.



□ ADD 1/4" WHEN FURNISHED WITH NIKALOY OR BRONZE TOP (-1 OR -2)

	3"	PIPE SIZE ("F" DIM. = 10 - 7/8")			-54-92	2" AUXILIARY SPIGOT INLET, GALVANIZED
	4"	PIPE SIZE ("F" DIM. = 11 - 1/4")				
	-1	IRON UNDERGRATE W/SATIN FINISH NIKALOY TOP				
X	-7	DUCTILE IRON GRATE			-66	NO-HUB SIDE OUTLET
					-71	SOLID CAST IRON BUCKET
	-15	CHAINED GRATE	X		-81	SLOTTED CAST IRON BUCKET
	-2	IRON UNDERGRATE W/SATIN FINISH BRONZE TOP				
	-44	FIXED EXTENSION COLLAR (3" STD. OR SPECIFY HT.)			-92	GALVANIZED CAST IRON PARTS
	-49	3/4" PRIMER TAP				
	-50	1/2" PRIMER TAP			-ARE	ACID-RESISTING EPOXY COATING
	-51	1-1/2" AUXILIARY THREADED INLET				
	-52	2" AUXILIARY THREADED INLET				
	-53	2" AUXILIARY HUB INLET			-VP	SECURED GRATE, VANDAL-PROOF SCREWS
	-54	2" AUXILIARY SPIGOT INLET				
	-53-92	2" AUXILIARY HUB INLET, GALVANIZED				

WARNING: Cancer and Reproductive Harm - www.P65Warnings.ca.gov

DATE OF LAST CHANGE: 07/23/18

DIMENSIONS ARE SUBJECT TO MANUFACTURERS TOLERANCES AND CHANGE WITHOUT NOTICE. WE CAN ASSUME NO RESPONSIBILITY FOR USE OF SUPERSEDED OR VOID DATA.



MICHIGAN CITY, INDIANA

NOTES