

**SPECIFICATION:**

JOSAM 32200-AE-81 SERIES COATED CAST IRON LEVELEZE® FLOOR DRAIN WITH ROUND TOP, GRATE SUPPORT COLLAR WITH DOUBLE DRAINAGE FLANGE AND WEEPHOLES, BOTTOM OUTLET, ADJUSTABLE COLLAR, SUPPORT RING, LARGE SUMP BODY, REMOVABLE SEDIMENT BUCKET WHICH SUPPORTS A MEDIUM-DUTY LOOSE-SET ANTI-TILTING SUPER-FLO® GRATE WITH PERIMETER DRAINAGE SLOTS.

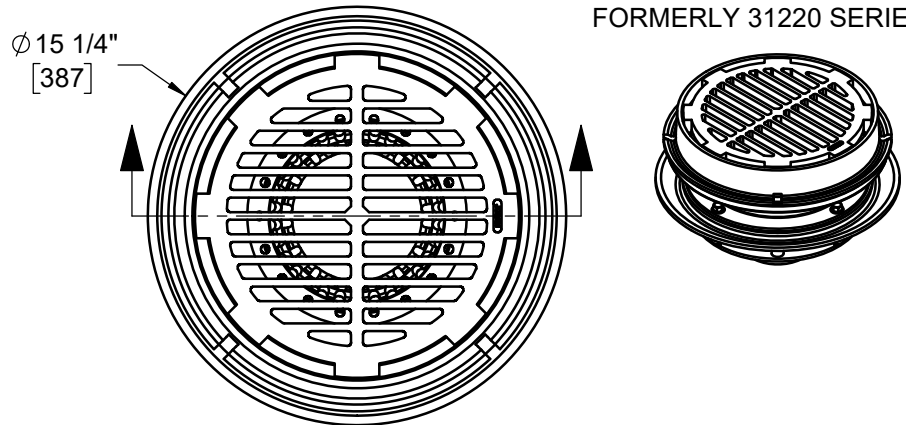
**FLOOR DRAIN**  
12" ROUND SUPER-FLO® TOP,  
LEVELEZE®

SERIES **32200-AE-81**

GRATE FREE AREA: 59 IN<sup>2</sup>  
STD. CAST IRON SLOT WIDTH 9/16"  
-1 AND -2 SLOT WIDTH 7/16"

FORMERLY 31220 SERIES

| PIPE SIZE |
|-----------|
| 2"        |
| 3"        |
| 4"        |
| 5"        |
| 6"        |
| 8"        |



□ ADD 1/4" WHEN FURNISHED WITH NIKALOY OR BRONZE TOP

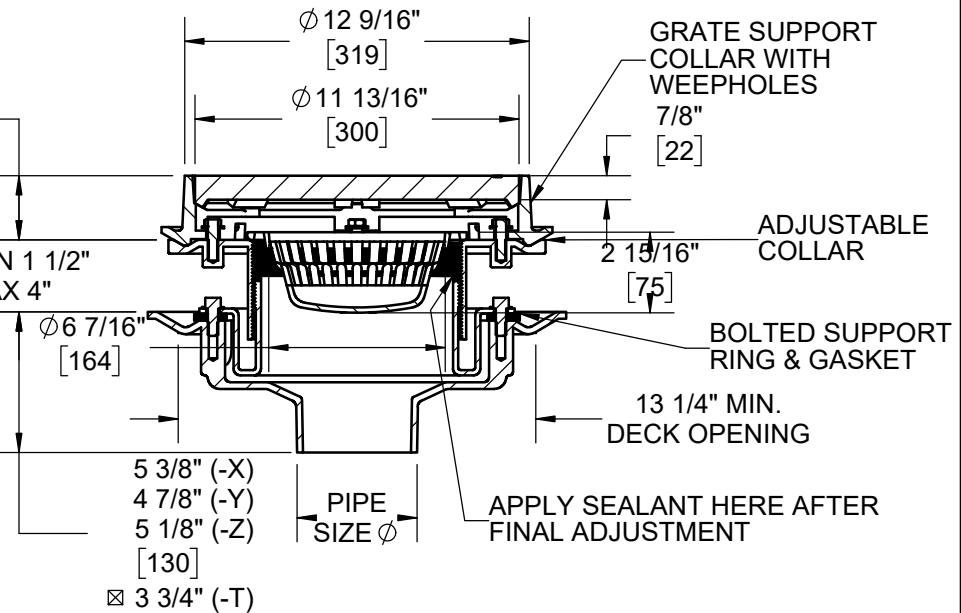
☒ 5-3/4" HEIGHT FOR 8" THREADED (-T) OUTLET

\* WITH (-4) SECONDARY FLASHING CLAMP 2-1/4" MIN. 4-1/4" MAX

GASKET FOR -Y AND -X OUTLETS CONFORMS TO ASTM-C564

□ 2 11/32" [59]

\* MIN 1 1/2" MAX 4"



|        |                                         |   |      |                                                            |
|--------|-----------------------------------------|---|------|------------------------------------------------------------|
| -1     | SATIN FINISH NIKALOY TOP                | X | -81  | SLOTTED CAST IRON BUCKET                                   |
| -2     | SATIN FINISH BRONZE TOP                 |   | -84  | SS MESH BUCKET LINER (MUST SPEC. -81)                      |
| -4     | SECONDARY FLASH. CLAMP (W/ -AE ONLY)    |   | -88  | SUPPLEMENTARY STRAINER                                     |
| -7     | DUCTILE IRON GRATE                      |   | -92  | GALVANIZED CAST IRON PARTS                                 |
| -13    | DOME GRATE, CAST IRON                   | X | -AE  | LEVELEZE ADJUSTABLE EXTENSION                              |
| -13-1  | DOME GRATE, NIKALOY                     |   | -ARE | ACID-RESISTANT EPOXY COATING                               |
| -13-2  | DOME GRATE, BRONZE                      |   | -SD  | SPECIAL-DUTY GRATE                                         |
| -15    | CHAINED GRATE                           |   | -HP  | HEEL-PROOF GRATE, CI, 5/16" SLOT WIDTH, 25 SQ IN FREE AREA |
| -44    | FIXED EXTENSION, CI (2" STD OR SPECIFY) |   | -VP  | SECURED GRATE, VP SCREWS                                   |
| -44-92 | FIXED EXTENSION, GALVANIZED             |   | -T   | THREADED OUTLET                                            |
| -49    | 3/4" PRIMER TAP                         |   | -X   | INSIDE CAULK OUTLET                                        |
| -50    | 1/2" PRIMER TAP                         |   | -Y   | HUB OUTLET W/ GASKET (2" - 4" SIZES ONLY)                  |
| -66    | NO-HUB SIDE OUTLET (2" - 6")            |   | -Z   | NO-HUB OUTLET                                              |

DATE OF LAST CHANGE: 07/25/18

DIMENSIONS ARE SUBJECT TO MANUFACTURERS TOLERANCES AND CHANGE WITHOUT NOTICE. WE CAN ASSUME NO RESPONSIBILITY FOR USE OF SUPERSEDED OR VOID DATA.

**JOSAM**

MICHIGAN CITY, INDIANA

NOTES