

SPECIFICATION:

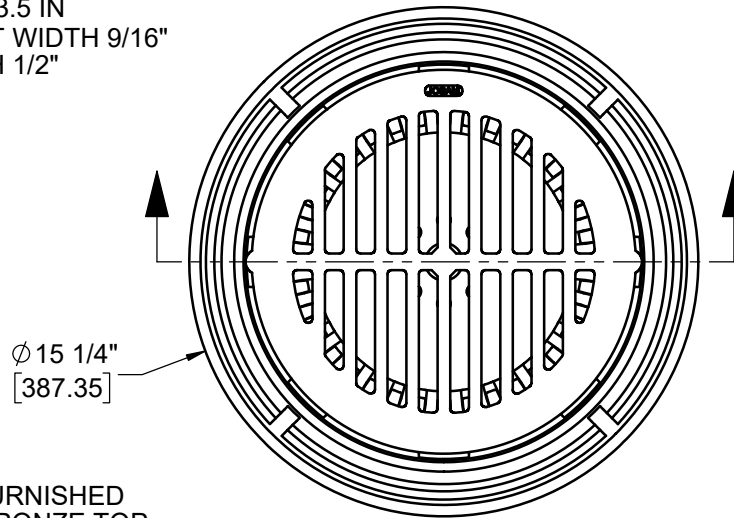
JOSAM 32300-81 SERIES COATED CAST IRON FLOOR DRAIN, MEDIUM-DEEP TWO-PIECE BODY WITH DOUBLE DRAINAGE FLANGE, WEJLOC® NON-PUNCTURING CLAMP COLLAR, WEEPHOLES, BOTTOM OUTLET, ROUND-TOP, REMOVABLE SEDIMENT BUCKET WHICH SUPPORTS A MEDIUM-DUTY LOOSE-SET ANTI-TILTING SUPER-FLO® GRATE WITH PERIMETER DRAINAGE SLOTS.

FLOOR DRAIN
12" ROUND SUPER-FLO® TOP,
MEDIUM SUMP

SERIES **32300-81**

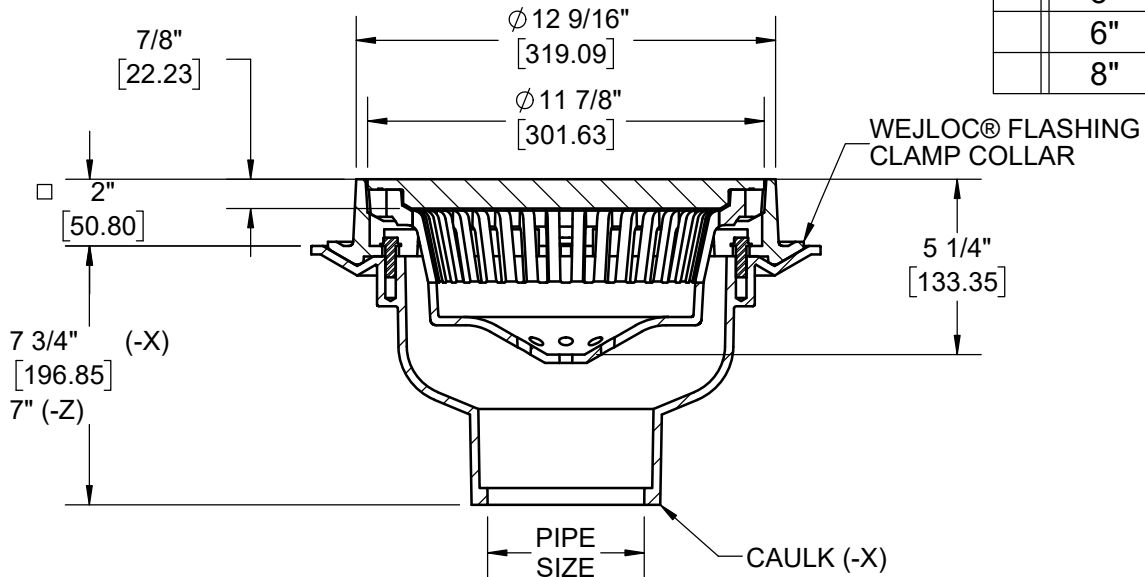
FORMERLY 32320 SERIES

GRATE FREE AREA: 43.5 IN²
 STD. CAST IRON SLOT WIDTH 9/16"
 -1 AND -2 SLOT WIDTH 1/2"



	PIPE SIZE
	2"
	3"
	4"
	5"
	6"
	8"

□ ADD 1/4" WHEN FURNISHED WITH NIKALOY OR BRONZE TOP



X	-81	SLOTTED CAST IRON BUCKET
	-SD	SPECIAL-DUTY GRATE
	-1	SATIN FINISH NIKALOY TOP
	-2	SATIN FINISH BRONZE TOP
	-7	DUCTILE IRON GRATE
	-13	DOME GRATE, CAST IRON
	-13-1	DOME GRATE, NIKALOY
	-13-2	DOME GRATE, BRONZE
	-15	CHAINED GRATE

	-44	FIXED EXTENSION, CAST IRON (2" STD. OR SPEC. HEIGHT)
	-44-92	FIXED EXTENSION, GALVANIZED (2" STD. OR SPEC. HEIGHT)
	-49	3/4" PRIMER TAP
	-50	1/2" PRIMER TAP
	-66	NO-HUB SIDE OUTLET (2"-6")
	-84	SS MESH BUCKET LINER
	-88	SUPPLEMENTARY STRAINER
	-92	GALVANIZED CAST IRON PARTS
	-ARE	ACID-RESISTING EPOXY
	-VP	SECURED GRATE, VANDAL-PROOF SCREWS
	-X	INSIDE CAULK OUTLET
	-Z	NO-HUB OUTLET

WARNING: Cancer and Reproductive Harm - www.P65Warnings.ca.gov

DATE OF LAST CHANGE: 07/25/18

DIMENSIONS ARE SUBJECT TO MANUFACTURERS TOLERANCES AND CHANGE WITHOUT NOTICE. WE CAN ASSUME NO RESPONSIBILITY FOR USE OF SUPERSEDED OR VOID DATA.

JOSAM

MICHIGAN CITY, INDIANA

NOTES