

**SPECIFICATION:**

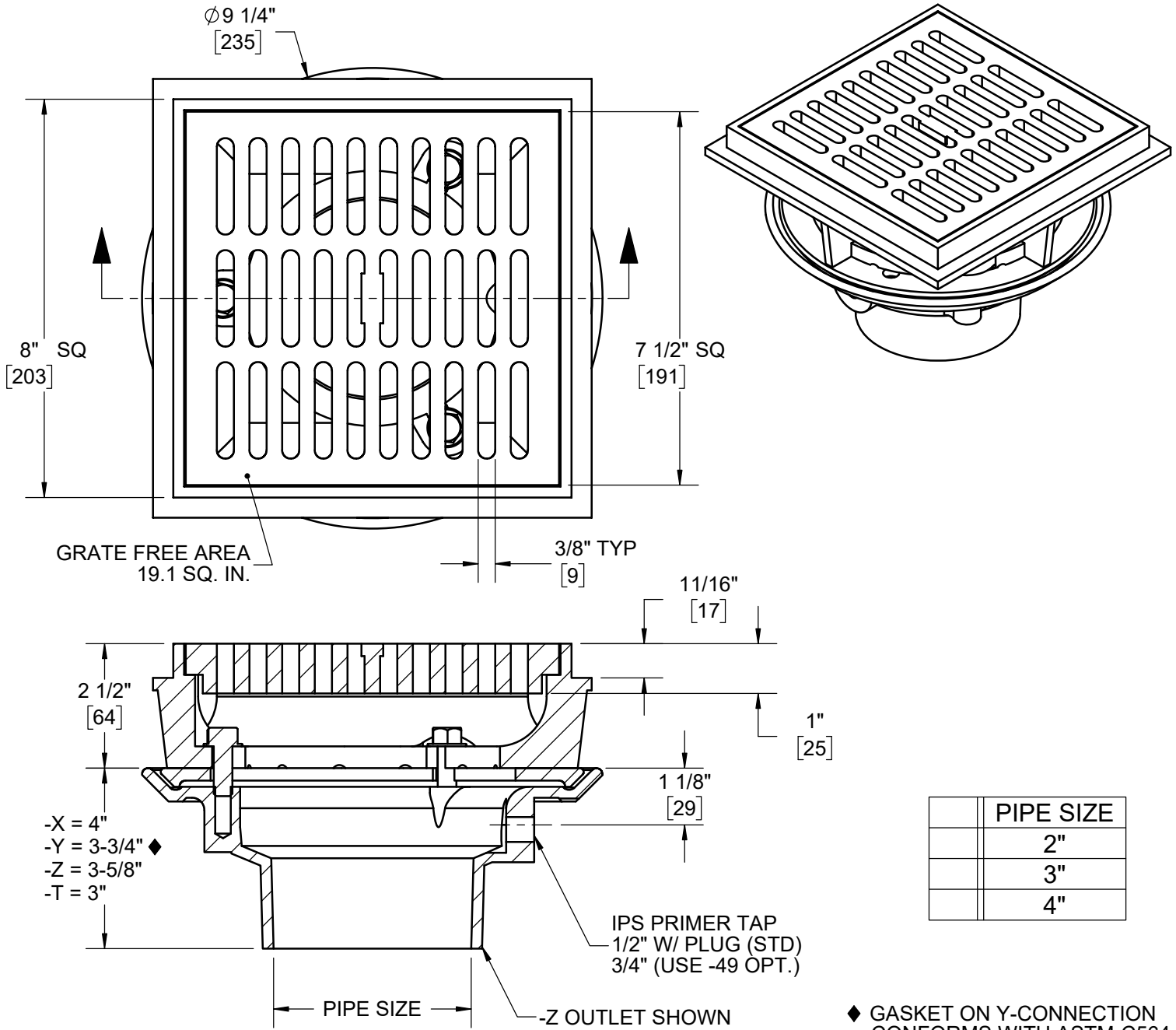
JOSAM 35100 SERIES CAST IRON FLOOR DRAIN, TWO-PIECE BODY WITH DOUBLE DRAINAGE FLANGE AND 1/2" PRIMER TAP WITH PLUG, WEJLOC NON-PUNCTURING FLASHING COLLAR, WEEPHOLES, BOTTOM OUTLET, SQUARE TOP WITH HEAVY-DUTY LOOSE-SET GRATE.

**FLOOR DRAIN**

**8" SQUARE TOP**

SERIES

**35100**



WARNING: Cancer and Reproductive Harm - www.P65Warnings.ca.gov

-TSO	THREADED SIDE OUTLET	-ARE	ACID-RESISTING EPOXY
-1	SATIN FINISH NIKALOY TOP	-92	GALVANIZED CAST IRON PARTS
-2	SATIN FINISH BRONZE TOP	-TSI	TRAP SEAL INSERT
-7	DUCTILE IRON GRATE	-T	THREADED OUTLET
-15	CHAINED GRATE	-X	INSIDE CAULK OUTLET
-49	3/4" PRIMER TAP	-Y	HUB OUTLET WITH GASKET
		-Z	NO-HUB SPIGOT OUTLET

DATE OF LAST CHANGE: 03/12/19

DIMENSIONS ARE SUBJECT TO MANUFACTURERS TOLERANCES AND CHANGE WITHOUT NOTICE. WE CAN ASSUME NO RESPONSIBILITY FOR USE OF SUPERSEDED OR VOID DATA.

**JOSAM**

MICHIGAN CITY, INDIANA

NOTES