

SPECIFICATION:

JOSAM 35170 SERIES COATED CAST IRON FLOOR DRAIN, BOTTOM OUTLET, SQUARE TOP, MEDIUM-DUTY LOOSE-SET TRACTOR GRATE AND REMOVABLE SEDIMENT BUCKET.

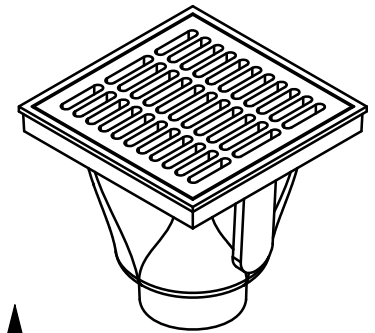
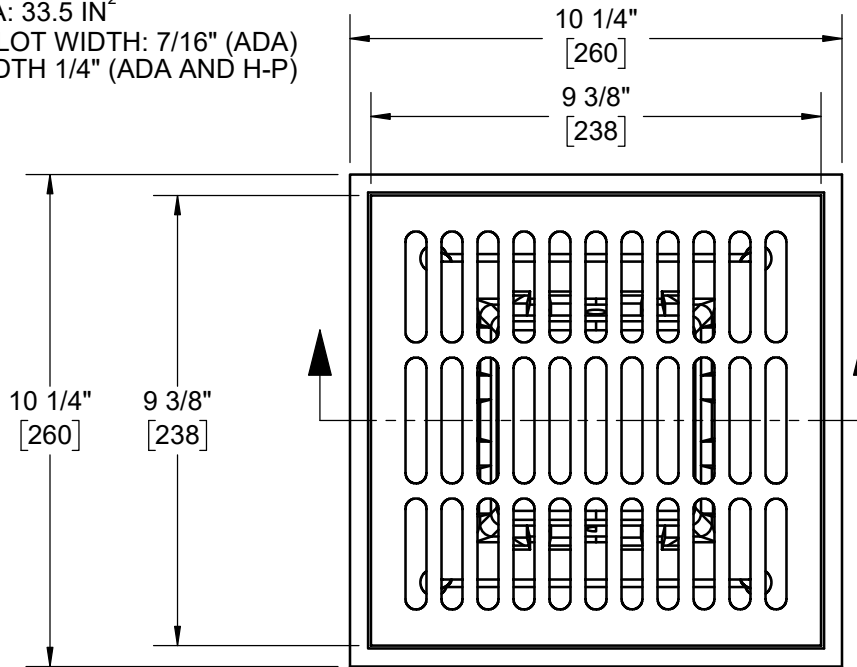
FLOOR DRAIN
10" TRACTOR TOP
WITH BUCKET

SERIES

35170

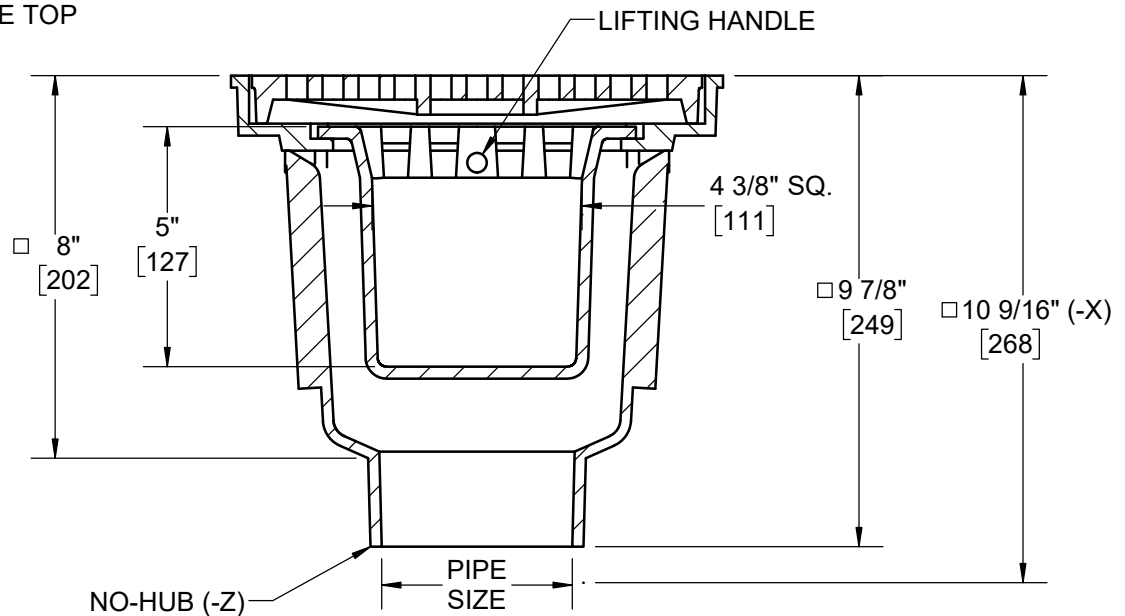
GRATE FREE AREA: 33.5 IN²
 STD. CAST IRON SLOT WIDTH: 7/16" (ADA)
 -1 AND -2 SLOT WIDTH 1/4" (ADA AND H-P)

FORMERLY 37770A SERIES



	PIPE SIZE
	3"
	4"

□ ADD 1/4" WHEN FURNISHED WITH NIKALOY OR BRONZE TOP



-1	SATIN FINISH NIKALOY TOP
-2	SATIN FINISH BRONZE TOP
-15	CHAINED GRATE
-49	3/4" PRIMER TAP
-50	1/2" PRIMER TAP
-70	LESS BUCKET

-84	STAINLESS STEEL MESH BUCKET LINER
-88	SUPPLEMENTARY STRAINER
-92	GALVANIZED CAST IRON PARTS
-VP	SECURED GRATE, VANDAL-PROOF SCREWS
-TGI	TRAP GUARD INSERT
-X	INSIDE CAULK OUTLET
-Z	NO-HUB SPIGOT OUTLET

WARNING: Cancer and Reproductive Harm - www.P65Warnings.ca.gov

DATE OF LAST CHANGE: 05/21/18

DIMENSIONS ARE SUBJECT TO MANUFACTURERS TOLERANCES AND CHANGE WITHOUT NOTICE. WE CAN ASSUME NO RESPONSIBILITY FOR USE OF SUPERSEDED OR VOID DATA.

JOSAM COMPANY
 MICHIGAN CITY, INDIANA

NOTES