

SPECIFICATION:

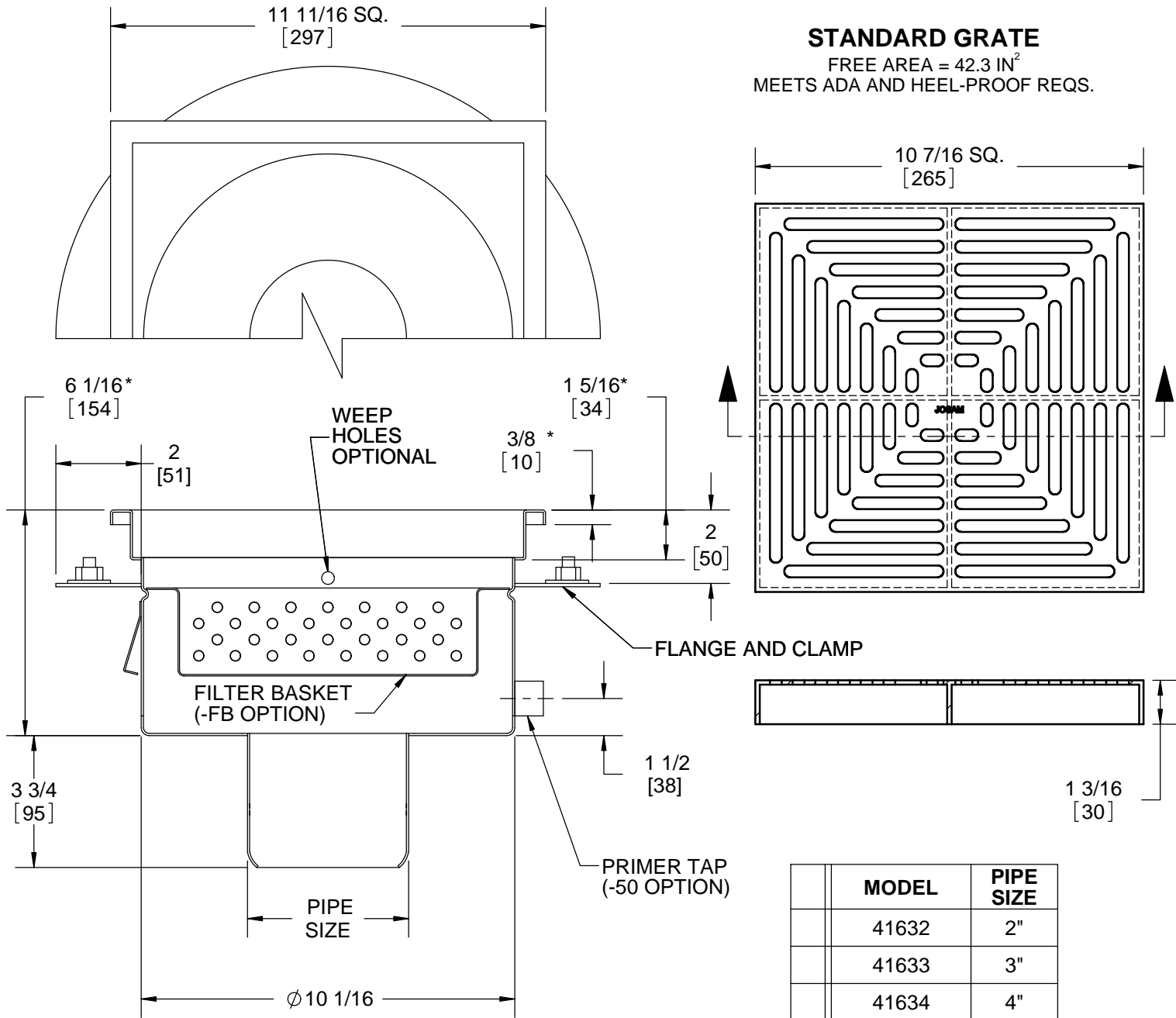
JOSAM SERIES 41630-FC FABRICATED STAINLESS STEEL (TYPE 304), 12" SQUARE TOP, 6" DEEP, NO-HUB BOTTOM OUTLET, WITH FLANGE AND CLAMPING DEVICE. ANCHOR TABS AND PERFORATED SS GRATE (STANDARD).

SS DRAIN
12" SQUARE TOP, 6" DEEP

SERIES **41630-FC**

STANDARD GRATE

FREE AREA = 42.3 IN²
MEETS ADA AND HEEL-PROOF REQS.



MODEL	PIPE SIZE
41632	2"
41633	3"
41634	4"
41636	6"

OPTIONS:

-NB	NICKEL BRONZE RIM & GRATE (*ADD 0.5")
-FB	FILTER BASKET
-SB	SEDIMENT BUCKET
-VP	SECURED GRATE
-50	1/2" PRIMER TAP
-BW	BUTT-WELD OUTLET (SPEC. 10, 40, 80)
-T	THREADED OUTLET

-NG	NO GRATE
-HG	PERF. HALF GRATE
-3Q	PERF. 3/4 GRATE
-MG	MESH, ANTI-SLIP GRATE
-LG	LADDER GRATE
-SG	PERIMETER SLOT GRATE
-316	TYPE 316L MATERIAL

WARNING: Cancer and Reproductive Harm - www.P65Warnings.ca.gov

DATE OF LAST CHANGE: 7/16/18

DIMENSIONS ARE SUBJECT TO MANUFACTURERS TOLERANCES AND CHANGE WITHOUT NOTICE. WE CAN ASSUME NO RESPONSIBILITY FOR USE OF SUPERSEDED OR VOID DATA.



NOTES