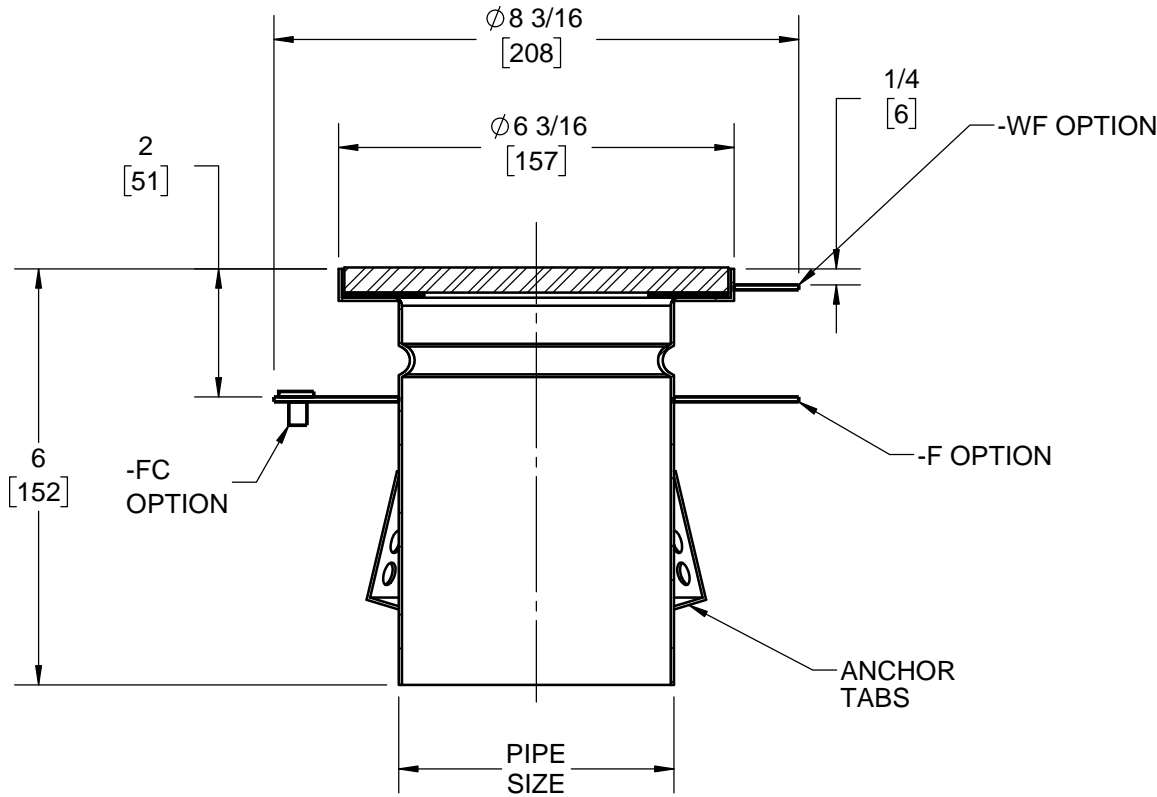
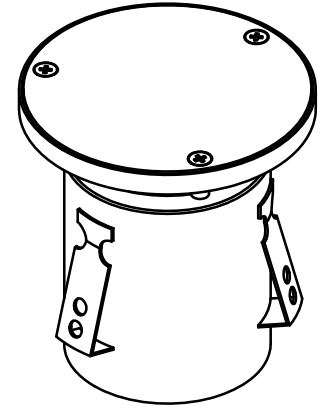
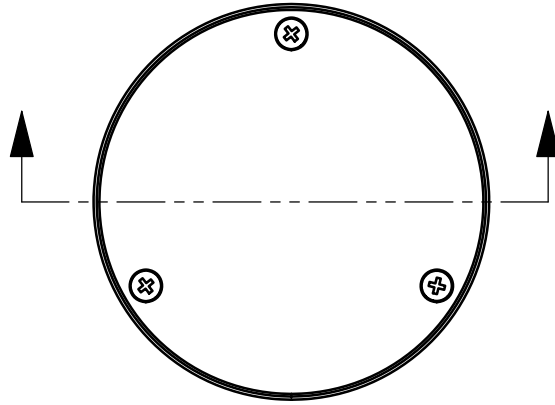


**SPECIFICATION:**

JOSAM SERIES 42300 FABRICATED STAINLESS STEEL (TYPE 304), 6" ROUND TOP, NO-HUB BOTTOM OUTLET, AND SMOOTH SECURED COVER WITH GASKET.

**SS CLEANOUT  
ROUND TOP**

SERIES **42300**



**OPTIONS:**

-DP	DIAMOND PLATE COVER
-IP	INTERNAL PLUG, GASKETED
-BW	BUTT-WELD OUTLET
-PFO	PUSH-FIT OUTLET SIZE
-316	316L STAINLESS STEEL MATERIAL
-WF	WIDE FLANGE
-F	ANCHOR FLANGE ONLY
-FC	ANCHOR FLANGE AND CLAMP

MODEL	PIPE SIZE
42302	2"
42303	3"
42304	4"

WARNING: Cancer and Reproductive Harm - www.P65Warnings.ca.gov

DATE OF LAST CHANGE: 7/16/18

DIMENSIONS ARE SUBJECT TO MANUFACTURERS TOLERANCES AND CHANGE WITHOUT NOTICE. WE CAN ASSUME NO RESPONSIBILITY FOR USE OF SUPERSEDED OR VOID DATA.



MICHIGAN CITY, INDIANA

NOTES