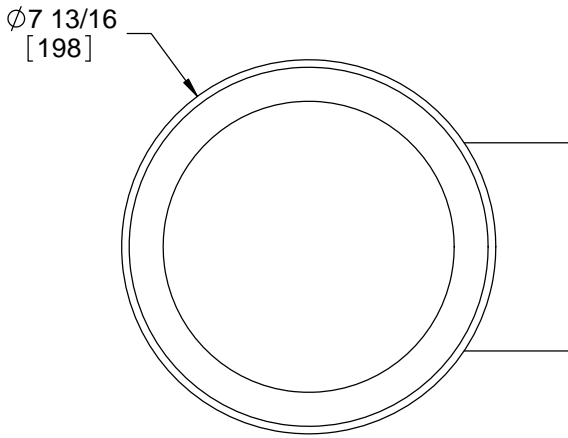


SPECIFICATION:

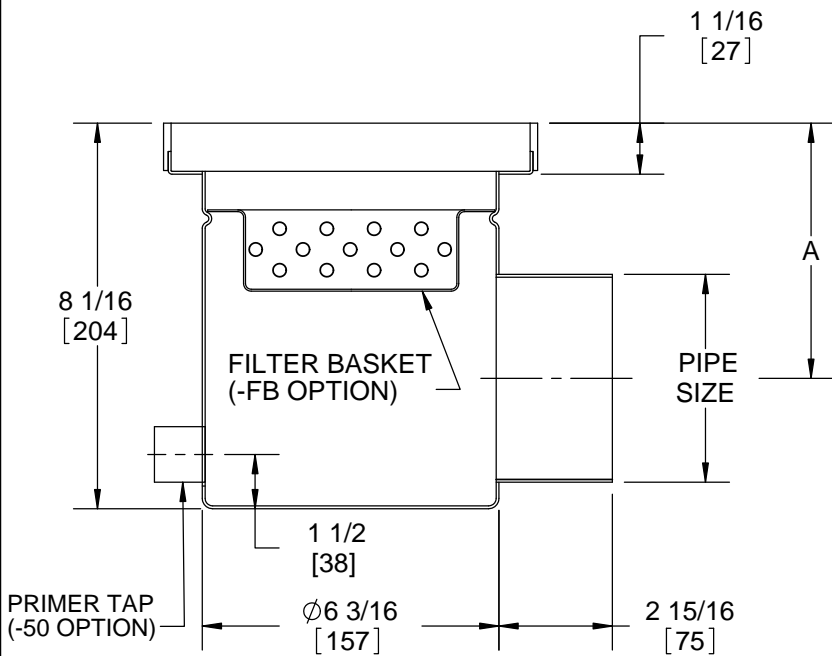
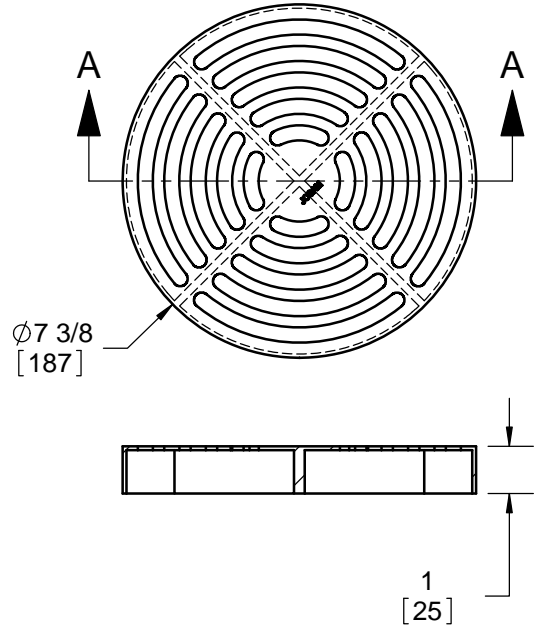
JOSAM SERIES 42440-SO FABRICATED STAINLESS STEEL (TYPE 304), 8" ROUND TOP, 8" DEEP, WITH NO-HUB SIDE OUTLET, ANCHOR TABS AND PERFORATED SS GRATE (STANDARD).

SS DRAIN
8" ROUND TOP, 8" DEEP
SIDE OUTLET

SERIES **42440-SO**



STANDARD GRATE
 FREE AREA = 18.4 IN²
 MEETS ADA AND HEEL-PROOF REQMNTS.



MODEL	PIPE SIZE	A
42442	2"	6.4 [162]
42443	3"	5.8 [148]
42444	4"	5.3 [135]

OPTIONS:

-FB	FILTER BASKET
-SB	SEDIMENT BUCKET
-VP	SECURED GRATE
x -SO	SIDE OUTLET
-50	1/2" PRIMER TAP
-T	THREADED OUTLET
-316	TYPE 316L MATERIAL
-BW	BUTT-WELD OUTLET (SPEC. 10, 40, 80)

-NG	NO GRATE
-HG	PERF. HALF GRATE
-3Q	PERF. 3/4 GRATE
-MG	MESH, ANTI-SLIP GRATE
-LG	LADDER GRATE
-SG	PERIMETER SLOT GRATE
-SK	SEALED COVER W/ EYEBOLT KEY
-SV	SEALED COVER W/ VACUUM HNDL

WARNING: Cancer and Reproductive Harm - www.P65Warnings.ca.gov

DATE OF LAST CHANGE: 7/17/18

DIMENSIONS ARE SUBJECT TO MANUFACTURERS TOLERANCES AND CHANGE WITHOUT NOTICE. WE CAN ASSUME NO RESPONSIBILITY FOR USE OF SUPERSEDED OR VOID DATA.

JOSAM
 MICHIGAN CITY, INDIANA

NOTES