

**SPECIFICATION:**

GRATE ASSORTMENT FOR JOSAM SERIES 47300 3" WIDE CHANNELS  
IN TYPE 304 MATERIAL (316L AVAILABLE).

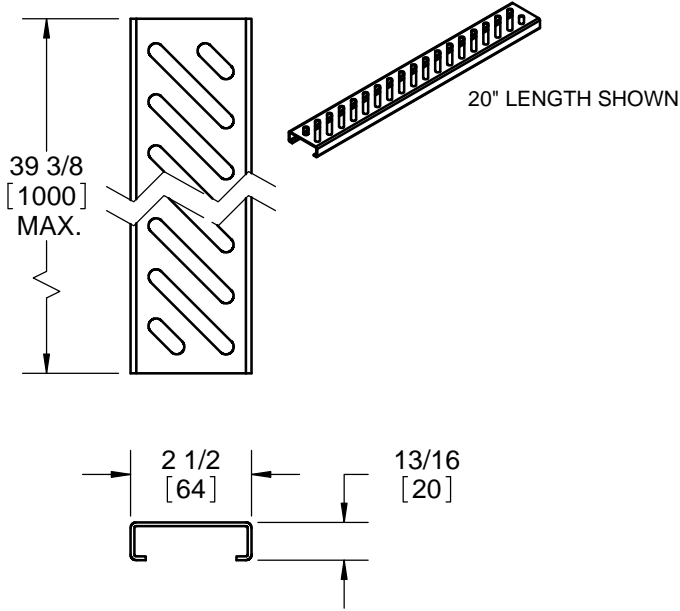
**SS TRENCH CHANNEL**

"MINI" (3" WIDE)

SERIES

**47300**

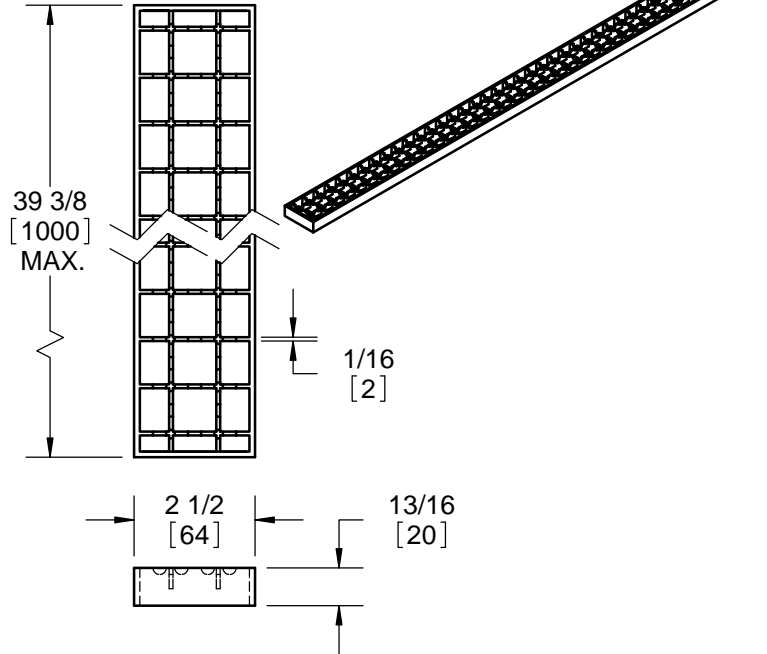
**47310 - PERFORATED**



SLOT WIDTH - .3" [8]  
FREE AREA - 26 IN<sup>2</sup> PER 40" LENGTH

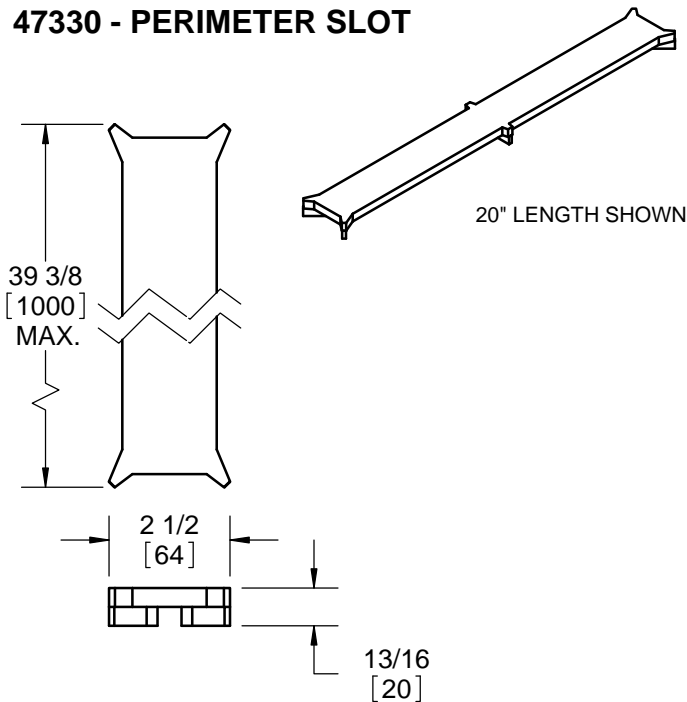
LOAD - LIGHT-DUTY  
MEETS ADA AND HEEL-PROOF REQS.

**47320 - ANTI-SLIP MESH**



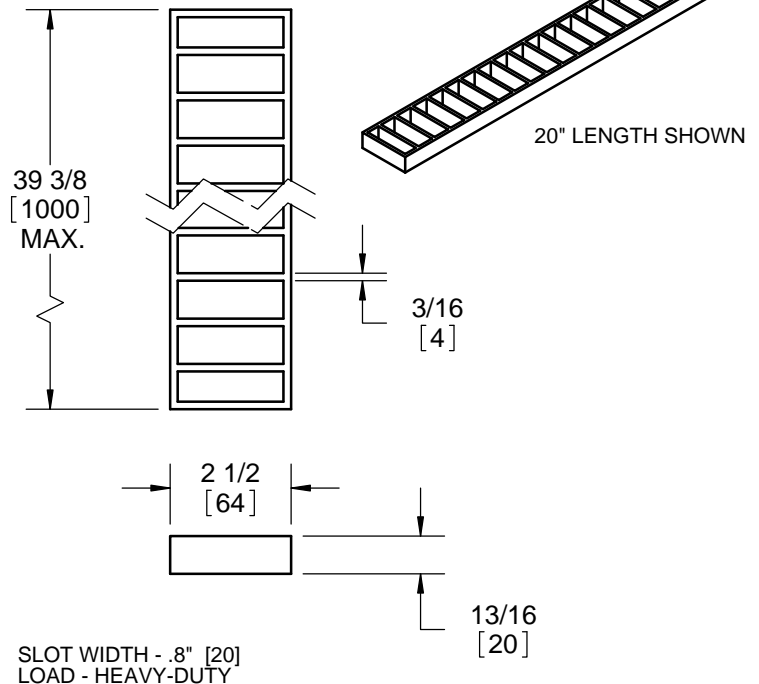
OPENINGS - .9" X .9" [23 X 23]  
LOAD - MEDIUM-DUTY

**47330 - PERIMETER SLOT**



SLOT WIDTH - .3" [8]  
LOAD - EXTRA-HEAVY-DUTY

**47340 - LADDER**



SLOT WIDTH - .8" [20]  
LOAD - HEAVY-DUTY

WARNING: Cancer and Reproductive Harm - www.P65Warnings.ca.gov

DATE OF LAST CHANGE: 7/19/18

DIMENSIONS ARE SUBJECT TO MANUFACTURERS TOLERANCES AND CHANGE WITHOUT NOTICE. WE CAN ASSUME NO RESPONSIBILITY FOR USE OF SUPERSEDED OR VOID DATA.

**JOSAM**

MICHIGAN CITY, INDIANA

NOTES