

SPECIFICATION:

JOSAM 49580A-LF SERIES ROUND CAST IRON 8" DEEP SUPER-FLO-SEPTOR® FLOOR SINK WITH ACID RESISTING INTERIOR, BOTTOM OUTLET, ALUMINUM INTERNAL DOME STRAINER AND CAST IRON, NON-TRAFFIC, ACID-RESISTING, ANTI-TILTING SUPER-FLO® GRATE.

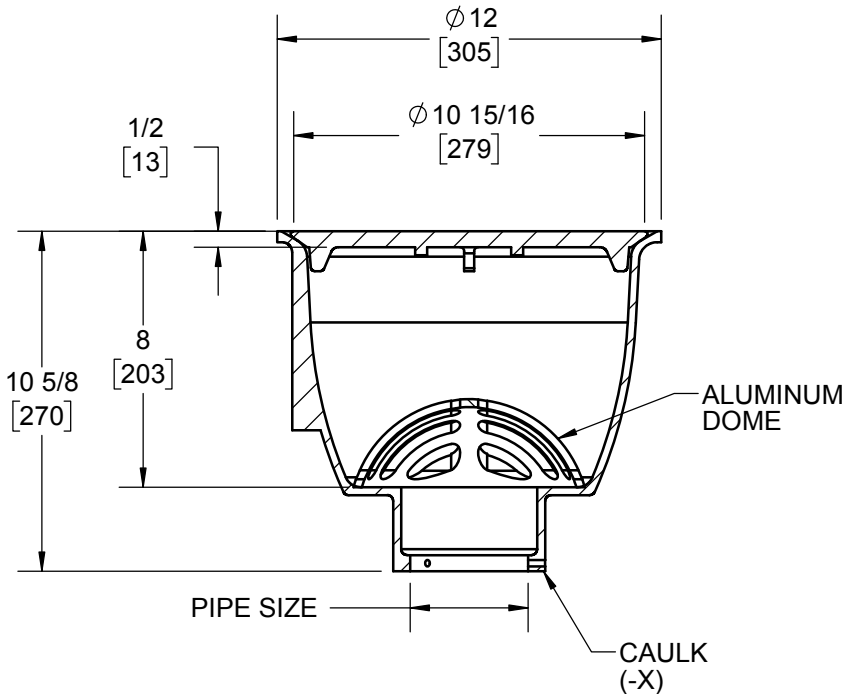
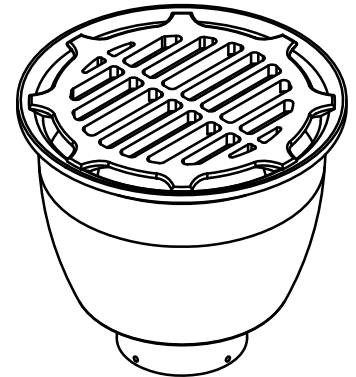
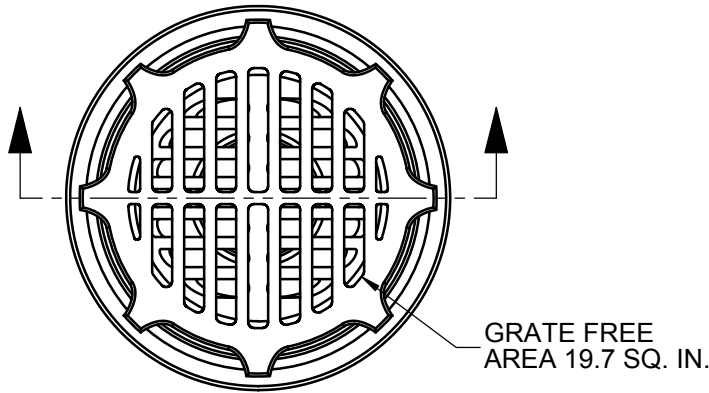
SANITARY FLOOR SINK

12" ROUND TOP, 8" DEEP

SERIES **49580A-LF**

FORMERLY 49590A SERIES

SLOT WIDTH 3/4"



PIPE SIZE	
	2"
	3"
	4"

Δ	X	-LF	LESS FLANGE
		-NB	NICKEL BRONZE TRAFFIC TOP
		-LG	LESS GRATE
		-3	HALF (1/2) GRATE
		-4	THREE-QUARTER (3/4) GRATE
		-7	FULL GRATE WITH 2-1/2" CENTER OPENING
		-8	STAINLESS STEEL DEPRESSED GRATE
		-16	GRATE WITH 4" ROUND FUNNEL
		-17	GRATE WITH 6" ROUND FUNNEL
		-18	GRATE WITH 9" x 3-1/2" OVAL FUNNEL

		-31	SEDIMENT BUCKET, ALUMINUM
		-33	SEDIMENT BUCKET, ACID RESISTANT FINISH
	*	-35	BUCKET LINER (STAINLESS STEEL MESH)
		-43	INTERNAL DOME STRAINER, ACID RESISTANT FINISH
		-45	LESS INTERNAL DOME STRAINER
		-51	GALV. CAST IRON, INSIDE AND OUTSIDE (NO ARE)
		-52	PAINTED, INSIDE AND OUTSIDE (NO ARE)
		-55	1/2" PRIMER TAP
		-X	INSIDE CAULK OUTLET
		-Z	NO-HUB OUTLET

Δ SEPARATE SUBMITTAL FOR THIS OPTION AVAILABLE

*MUST ALSO SPECIFY -31 OR -33 OPTION

DATE OF LAST CHANGE: 7/09/18

DIMENSIONS ARE SUBJECT TO MANUFACTURERS TOLERANCES AND CHANGE WITHOUT NOTICE. WE CAN ASSUME NO RESPONSIBILITY FOR USE OF SUPERSEDED OR VOID DATA.

JOSAM
MICHIGAN CITY, INDIANA

NOTES

WARNING: Cancer and Reproductive Harm - www.P65Warnings.ca.gov