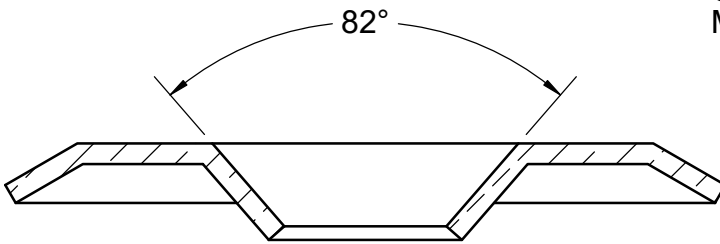
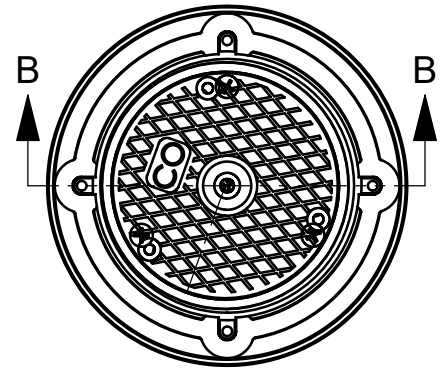
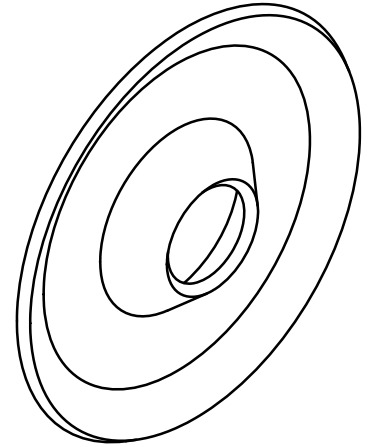
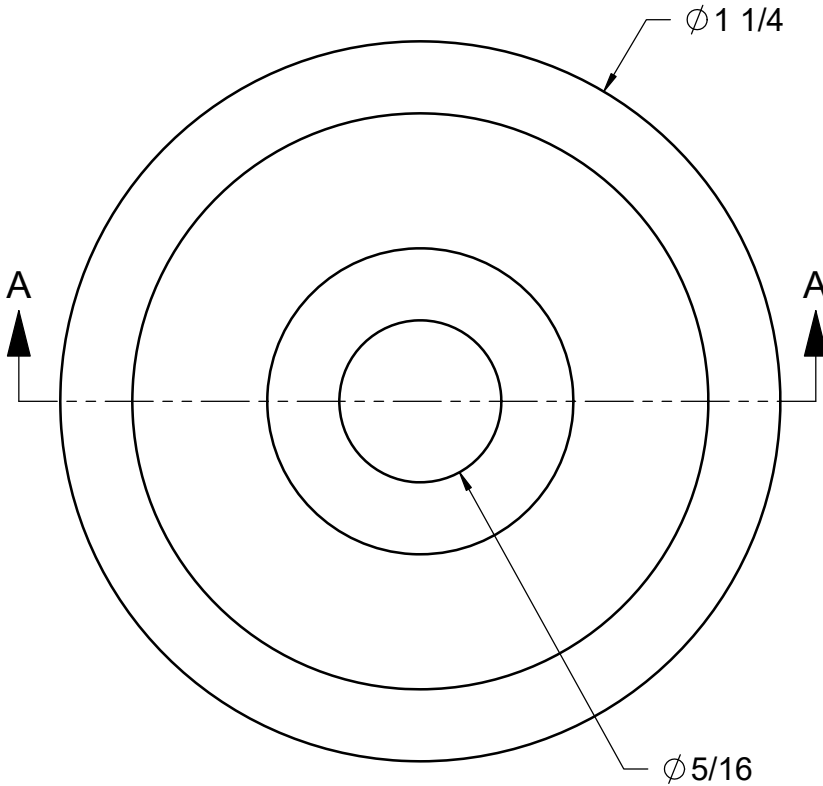


**SPECIFICATION:**

CLEANOUT MARKER. MADE OF BRASS OR STAINLESS STEEL.

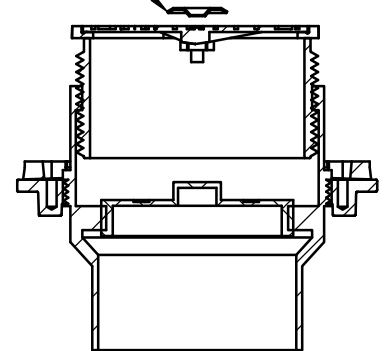
**CLEANOUT MARKER**

SERIES **55000-14**



SECTION A-A  
SCALE 3 : 1

CARPET CLEANOUT  
MARKER INSTALLED



SECTION B-B  
SCALE 1 : 4

WARNING: Cancer and Reproductive Harm - www.P65Warnings.ca.gov

DATE OF LAST CHANGE: 05/24/19

DIMENSIONS ARE SUBJECT TO MANUFACTURERS  
TOLERANCES AND CHANGE WITHOUT NOTICE.  
WE CAN ASSUME NO RESPONSIBILITY FOR  
USE OF SUPERSEDED OR VOID DATA.

**JOSAM**

MICHIGAN CITY, INDIANA

NOTES