

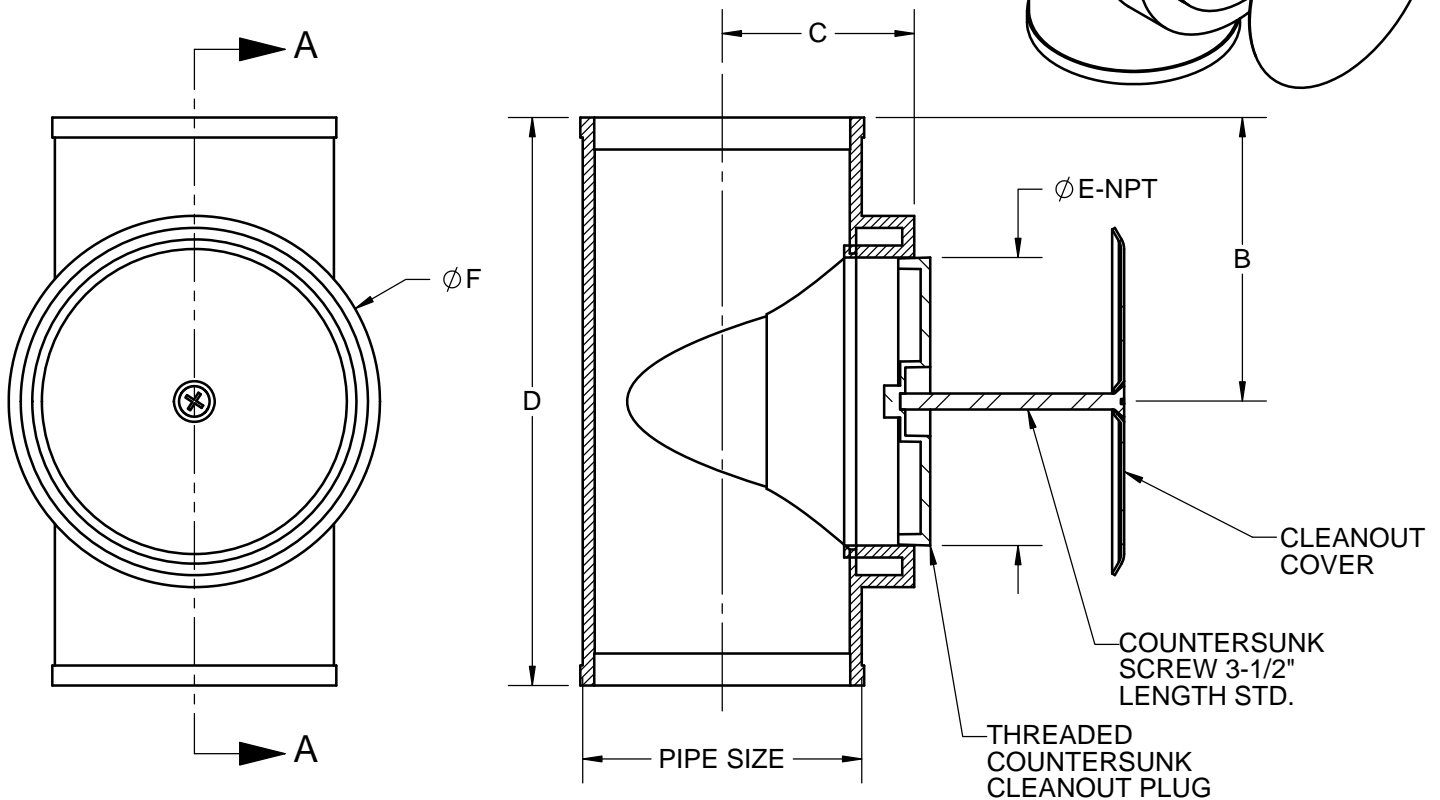
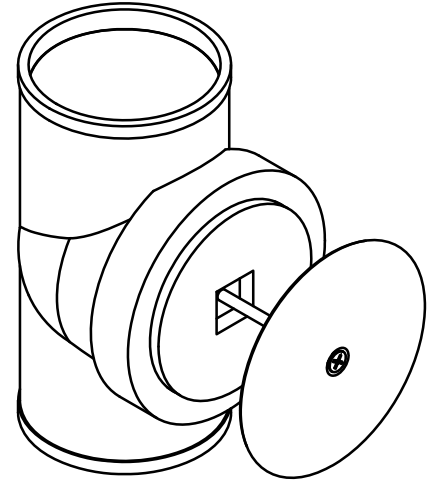
SPECIFICATION:

JOSAM 58600-COT SERIES ROUND STAINLESS STEEL WALL ACCESS COVER WITH SCREW AND NO-HUB CLEANOUT TEE.

**CLEANOUT
WALL ACCESS COVER
WITH CLEANOUT TEE**

SERIES **58600-COT**

FORMERLY 58790 SERIES



	PIPE SIZE	B	C	D	E	F
	2"	3-3/16	2	6-3/8	2	5-3/8
	3"	3-7/8	2-11/16	7-3/4	3	5-3/8
	4"	4-7/16	3	8-7/8	4	5-3/8
	6"	6-1/4	5	12-1/2	6	7-5/8

	-VP	SECURED COVER, VANDAL-PROOF SCREWS
X	-COT	NO-HUB CLEANOUT TEE
	-17	CENTER SCREW LONGER THAT STANDARD
	-20	RAISED HEAD BRONZE PLUG
	-31	GALVANIZED CAST IRON PARTS

DATE OF LAST CHANGE: 5/24/18

DIMENSIONS ARE SUBJECT TO MANUFACTURERS TOLERANCES AND CHANGE WITHOUT NOTICE. WE CAN ASSUME NO RESPONSIBILITY FOR USE OF SUPERSEDED OR VOID DATA.

JOSAM
MICHIGAN CITY, INDIANA

NOTES