

SPECIFICATION:

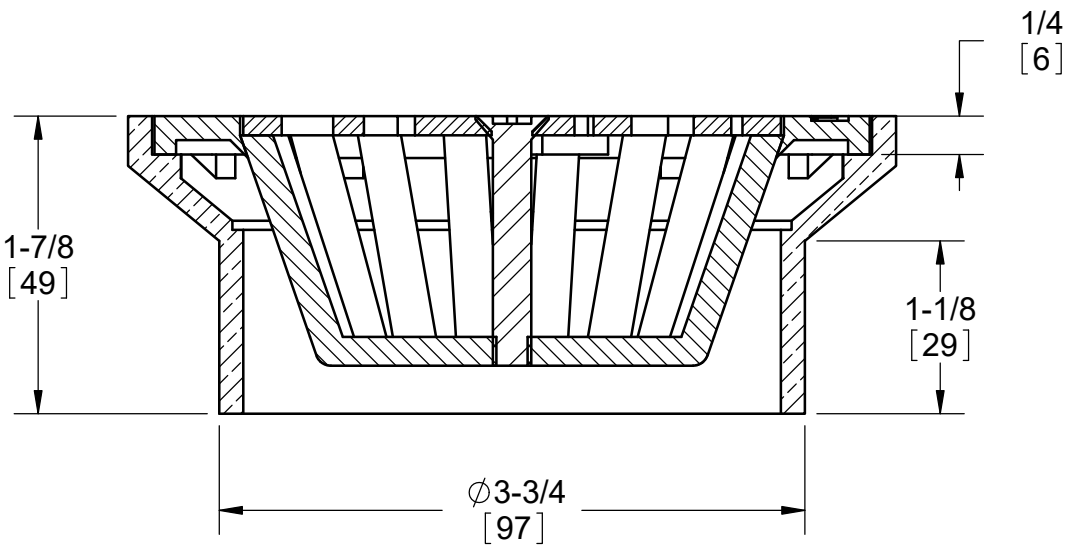
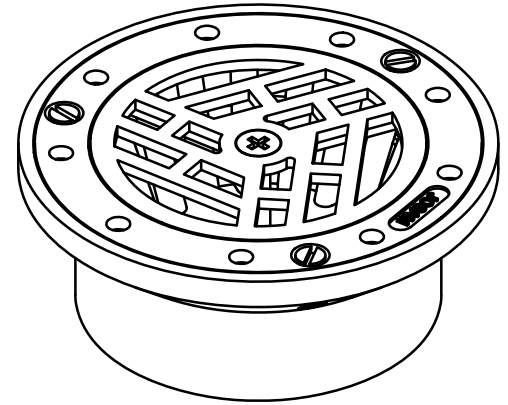
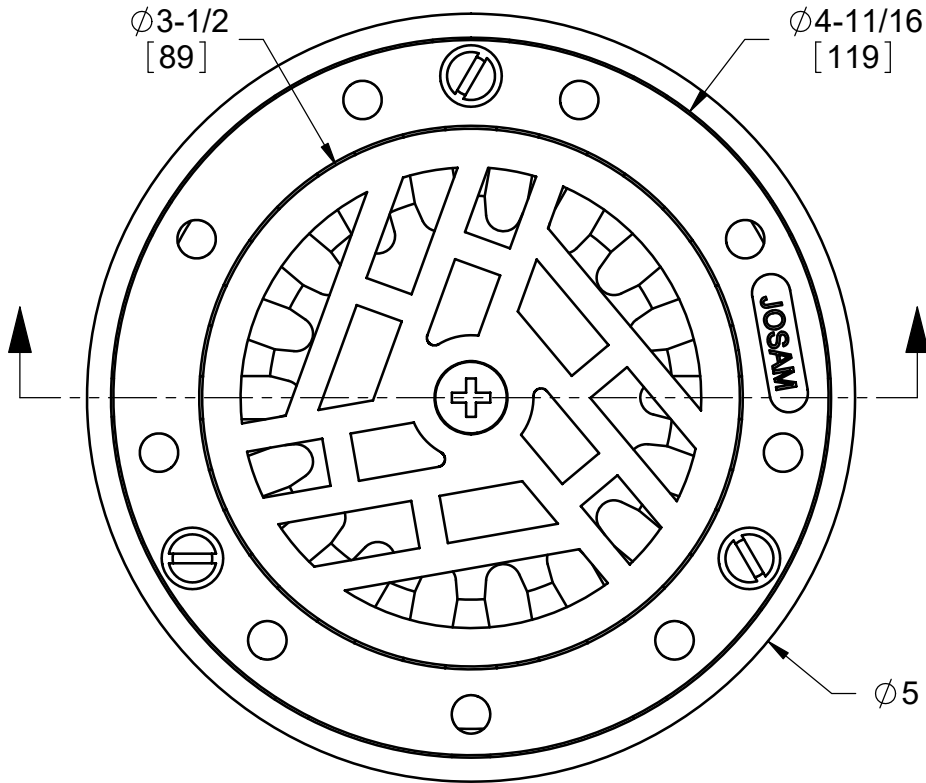
JOSAM SERIES "C" ADJUSTABLE SATIN FINISH NIKALOY ROUND STRAINER WITH INTEGRAL SEDIMENT BUCKET, THREADED WITH JOSAM ADJUSTABLE STRAINER THREAD.

**FLOOR DRAIN
ADJUSTABLE STRAINER**

SERIES

C

FREE AREA: 4.5 SQ. IN.



OPTIONS:

-2	BRONZE ADJUSTABLE STRAINER
-VP	SECURED GRATE, VANDAL-PROOF SCREWS
-TSI	TRAP SEAL INSERT

DATE OF LAST CHANGE: 03/13/19

DIMENSIONS ARE SUBJECT TO MANUFACTURERS TOLERANCES AND CHANGE WITHOUT NOTICE. WE CAN ASSUME NO RESPONSIBILITY FOR USE OF SUPERSEDED OR VOID DATA.



MICHIGAN CITY, INDIANA

NOTES