

SPECIFICATION:

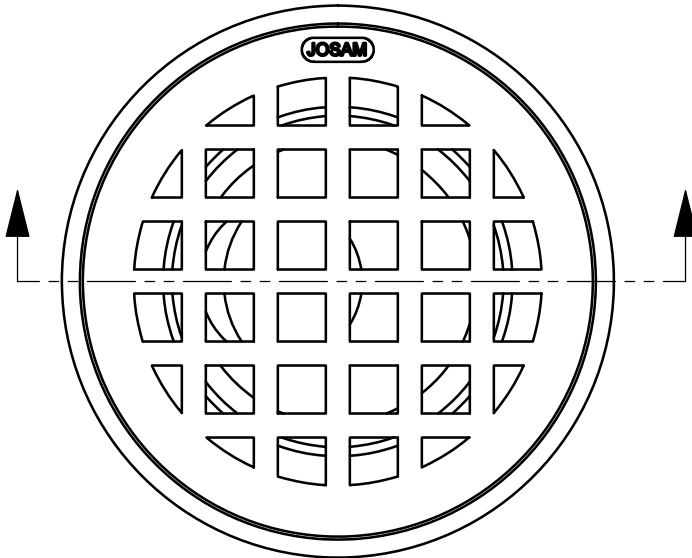
JOSAM SERIES "E" ADJUSTABLE SATIN FINISH NIKALOY ROUND STRAINER WITH TRACTOR GRATE, THREADED WITH JOSAM ADJUSTABLE STRAINER THREAD, WITH WEIGHTED BRONZE VALVE CLOSURE BACKWATER VALVE ASSEMBLY.

FLOOR DRAIN

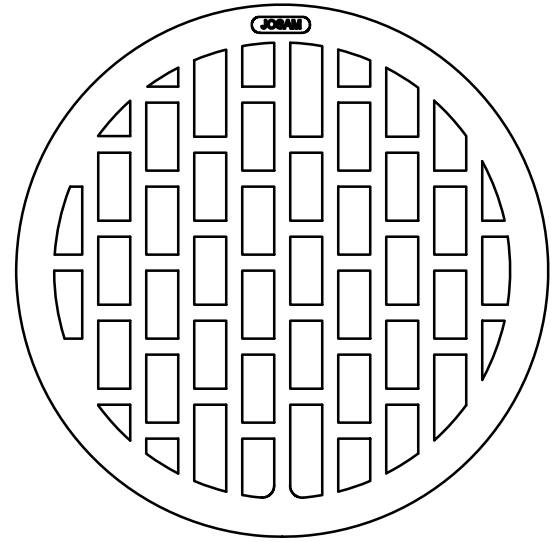
ADJUSTABLE STRAINER

SERIES

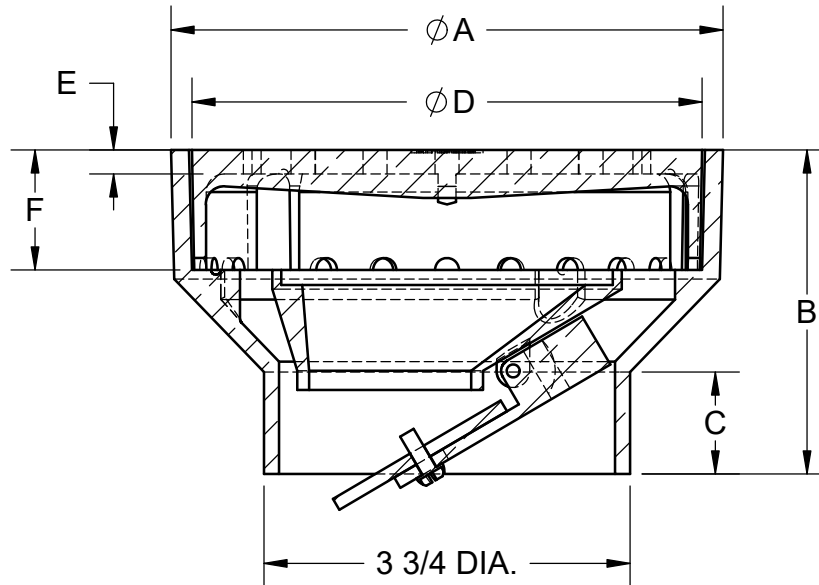
E - J



6E -7E
SLOT WIDTH : 1/2"



9E
SLOT WIDTH : 1/2"



TYPE No.	A	B	C	D	E	F	FREE AREA	LBS.
6E	6	3-3/8	1	5-1/4	1/4	1-1/4	6.7	5
7E	7	3	1-1/8	6-1/2	5/16	15/16	12.0	6
9E	9	3-1/8	7/8	8-1/4	5/16	1 7/16	21.2	11

-2	BRONZE ADJUSTABLE STRAINER	X	-J	BACKWATER VALVE
-80	PERFORATED STAINLESS STEEL BASKET		-VP	SECURED GRATE, VANDAL-PROOF SCREWS
-93	CAST IRON STRAINER (7E ONLY)			

DATE OF LAST CHANGE: 07/13/18

DIMENSIONS ARE SUBJECT TO MANUFACTURERS TOLERANCES AND CHANGE WITHOUT NOTICE. WE CAN ASSUME NO RESPONSIBILITY FOR USE OF SUPERSEDED OR VOID DATA.



MICHIGAN CITY, INDIANA

NOTES

WARNING: Cancer and Reproductive Harm - www.P65Warnings.ca.gov