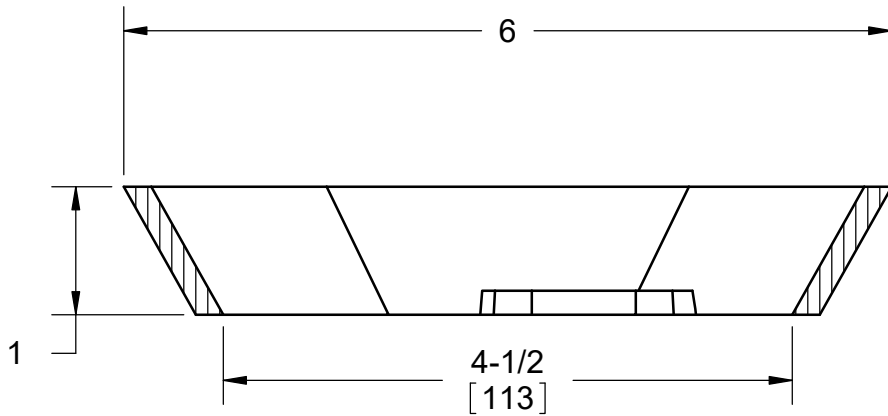
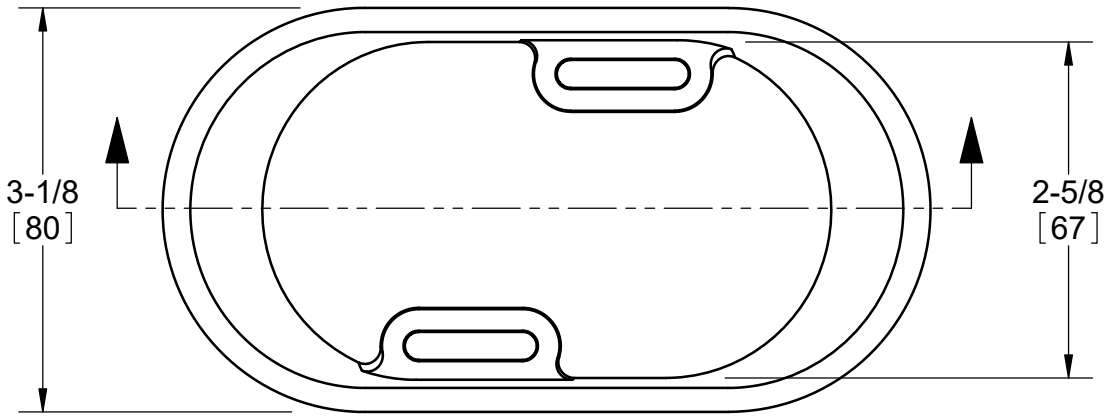


SPECIFICATION:

JOSAM SERIES "F8" SATIN FINISH NIKALOY OVAL FUNNEL FOR ATTACHMENT TO ANY FLAT GRGATE BY SECURING SCREWS. (SCREWS NOT SHOWN)

**FLOOR DRAIN
FUNNEL**

SERIES **F8**



WARNING: Cancer and Reproductive Harm - www.P65Warnings.ca.gov

-2	SATIN FINISH BRONZE				
-92	GALVANIZED CAST IRON				
-93	CAST IRON				

DATE OF LAST CHANGE: 07/13/18

DIMENSIONS ARE SUBJECT TO MANUFACTURERS TOLERANCES AND CHANGE WITHOUT NOTICE. WE CAN ASSUME NO RESPONSIBILITY FOR USE OF SUPERSEDED OR VOID DATA.

JOSAM
MICHIGAN CITY, INDIANA

NOTES