

**SPECIFICATION:**

JOSAM FD-400 SERIES PVC FLOOR DRAIN WITH ADJUSTABLE 5" ROUND TOP.

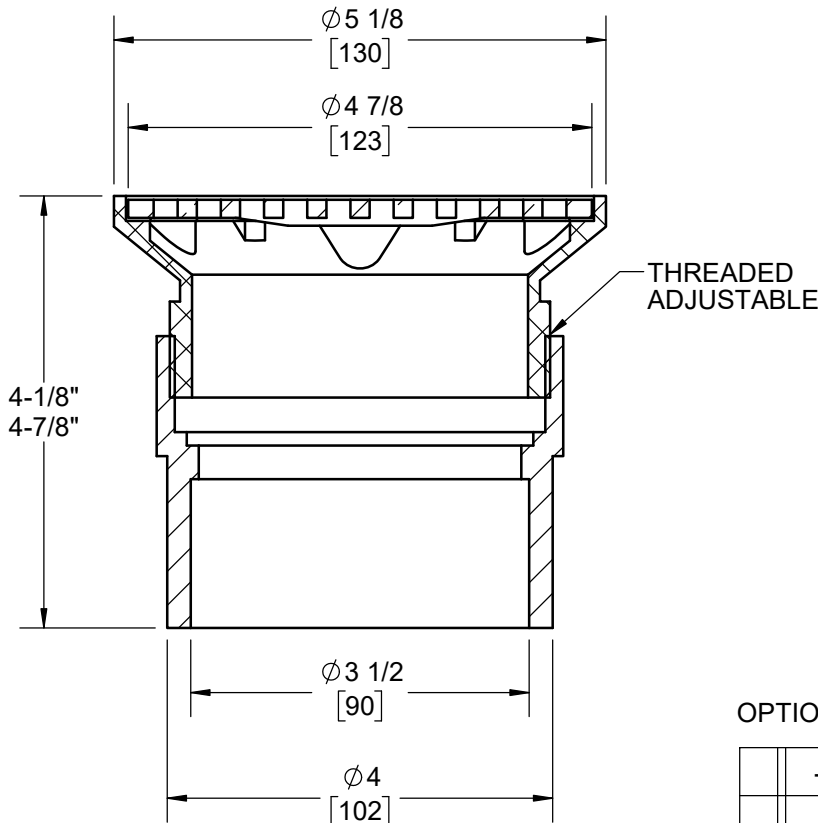
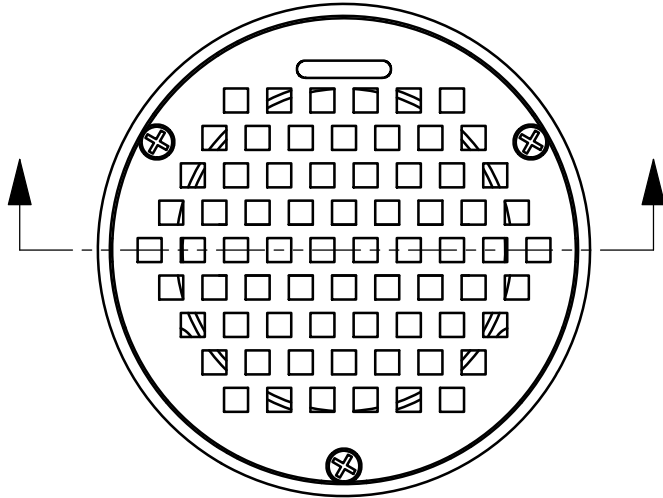
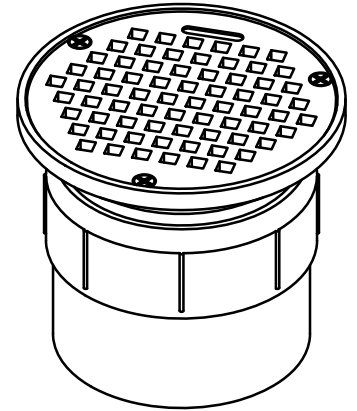
**FLOOR DRAIN**

PVC

SERIES

**FD-400**

STRAINER OPENINGS = 1/4" SQ.  
SPECIFY STRAINER TYPE OR SOLID COVER BELOW.



PVC OUTLET FITS OVER 3" AND INSIDE 4" SCHED 40 DWV

OPTIONS:

-J5PVC	PVC STRAINER
-J5NB	NICKEL-BRONZE STRAINER
-J5SC	SCORIATED GASKETED SOLID COVER

WARNING: Cancer and Reproductive Harm - www.P65Warnings.ca.gov

DATE OF LAST CHANGE: 06/27/18

DIMENSIONS ARE SUBJECT TO MANUFACTURERS TOLERANCES AND CHANGE WITHOUT NOTICE. WE CAN ASSUME NO RESPONSIBILITY FOR USE OF SUPERSEDED OR VOID DATA.

**JOSAM**  
MICHIGAN CITY, INDIANA

NOTES