

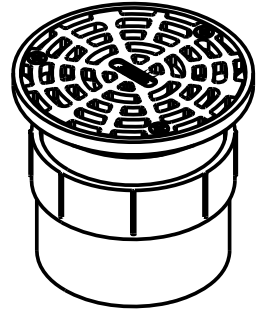
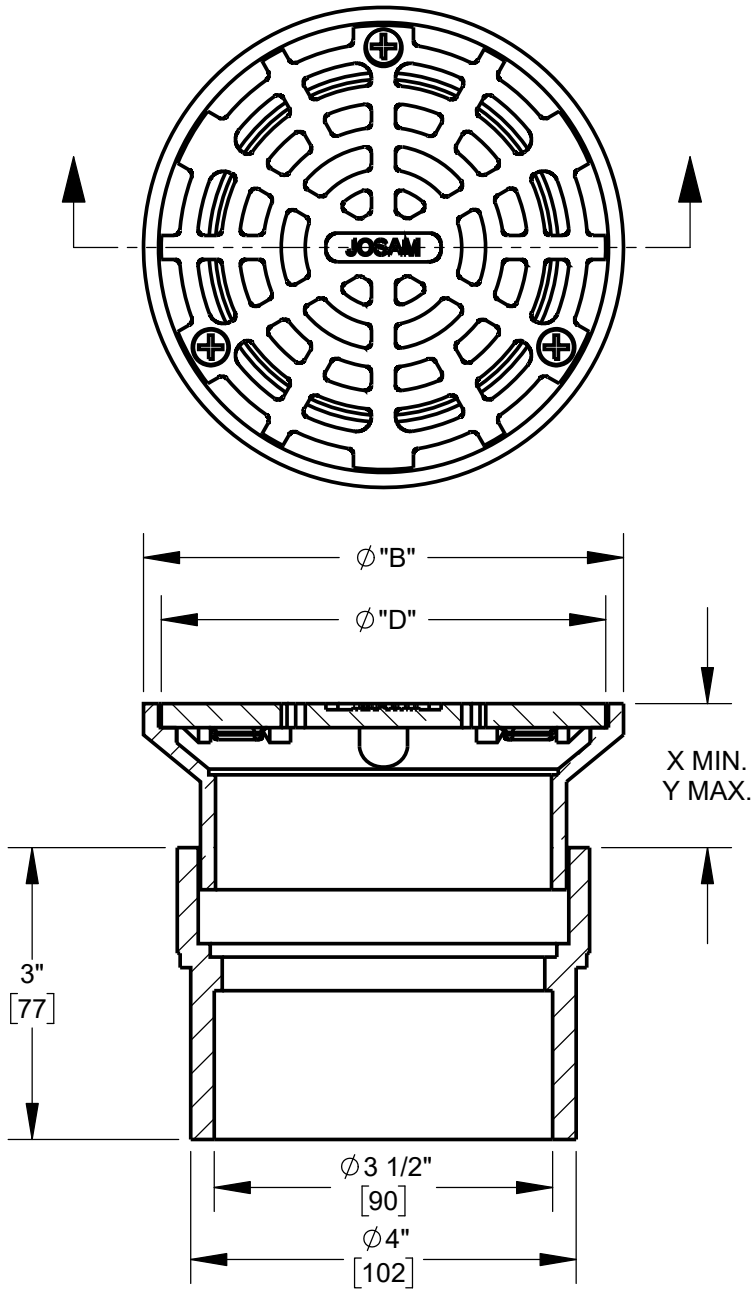
SPECIFICATION:

JOSAM FD-450J-A SERIES PVC DRAIN BODY WITH THREADED ADJUSTABLE SUPER-FLO ROUND NIKALOY STRAINER. COMBINATION 3" X 4" SOLVENT WELD BOTTOM OUTLET FITS OVER 3" OR INSIDE 4" SCHEDULE 40 PVC PIPE.

FLOOR DRAIN

PVC

SERIES **FD-450J-A**



WARNING: Cancer and Reproductive Harm - www.P65Warnings.ca.gov

	STRAINER	DIA. "B"	DIA. "D"	X	Y	FREE AREA
	-5A	5	4-5/8	1	2	7.8
	-6A	6	5-1/4	1-1/2	2-1/2	11.0
	-7A	7	6-7/16	1-1/2	3	13.2
	-8A	8	7-1/8	1-3/4	2-3/4	16.2

OPTIONS:

-2	SATIN FINISH BRONZE TOP
-VP	SECURED GRATE, VP SCREWS

DATE OF LAST CHANGE: 06/27/18

DIMENSIONS ARE SUBJECT TO MANUFACTURERS TOLERANCES AND CHANGE WITHOUT NOTICE. WE CAN ASSUME NO RESPONSIBILITY FOR USE OF SUPERSEDED OR VOID DATA.

JOSAM

MICHIGAN CITY, INDIANA

NOTES