

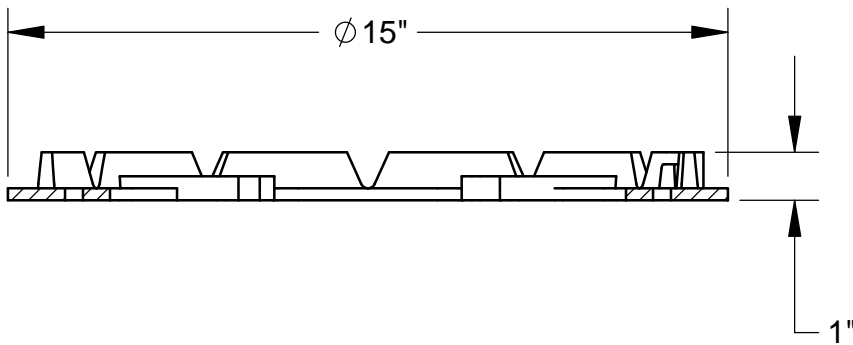
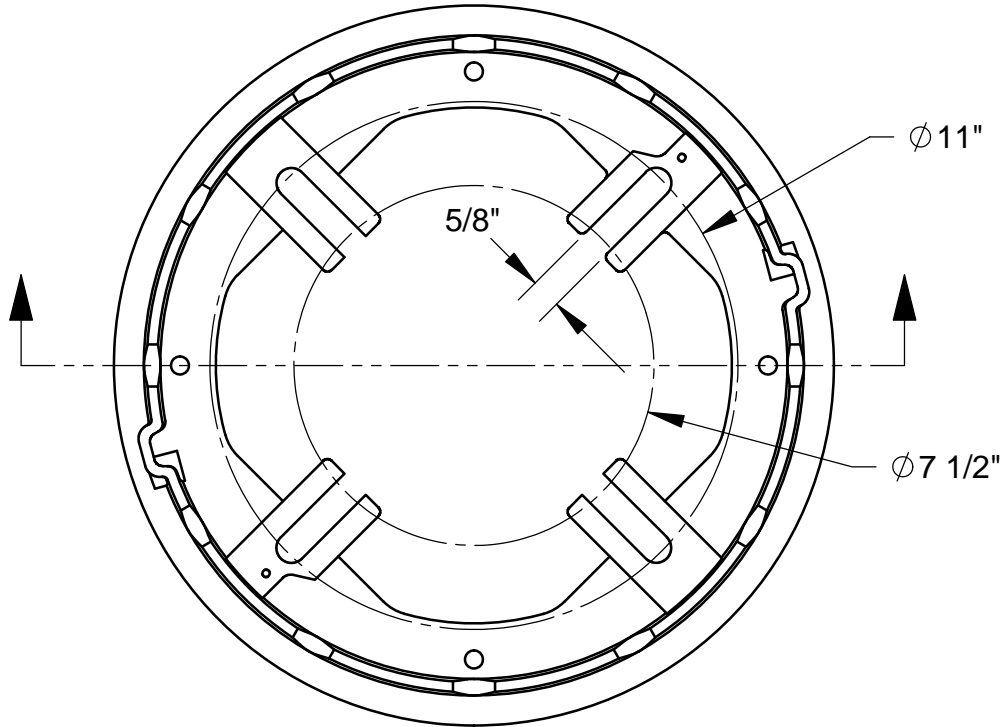
**SPECIFICATION:**

JOSAM SERIES R700 COATED CAST IRON CLAMP RING TO FIT DRAIN BODIES WITH 4 HOLE BOLT PATTERN AND BOLTING DIAMETERS FROM 7-1/2" TO 11". FITS JOSAM 21500 SERIES DOMES.

**ROOF DRAIN  
"FITSALL" CLAMP RING**

SERIES

**R700**



DATE OF LAST CHANGE: 02/08/12

DIMENSIONS ARE SUBJECT TO MANUFACTURERS TOLERANCES AND CHANGE WITHOUT NOTICE. WE CAN ASSUME NO RESPONSIBILITY FOR USE OF SUPERSEDED OR VOID DATA.

**JOSAM COMPANY**  
MICHIGAN CITY, INDIANA

NOTES