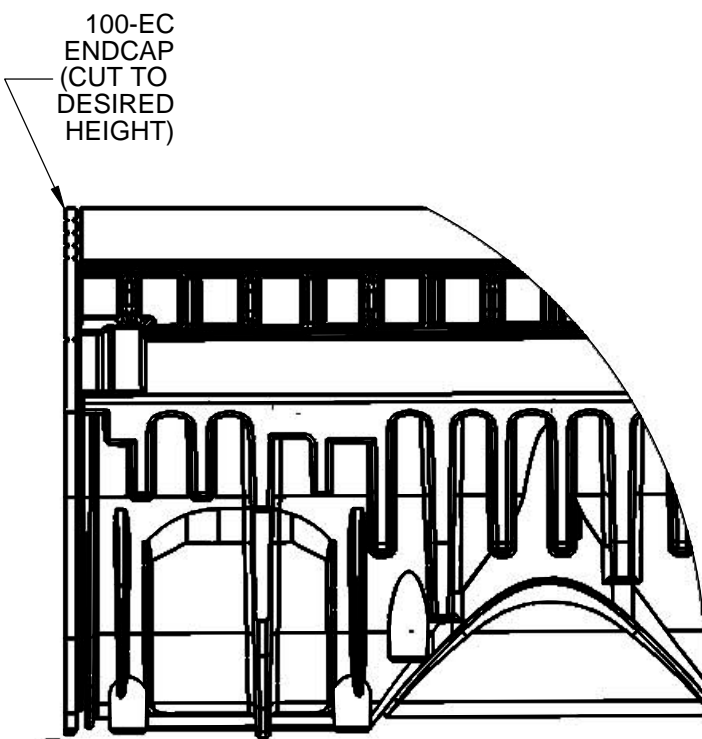
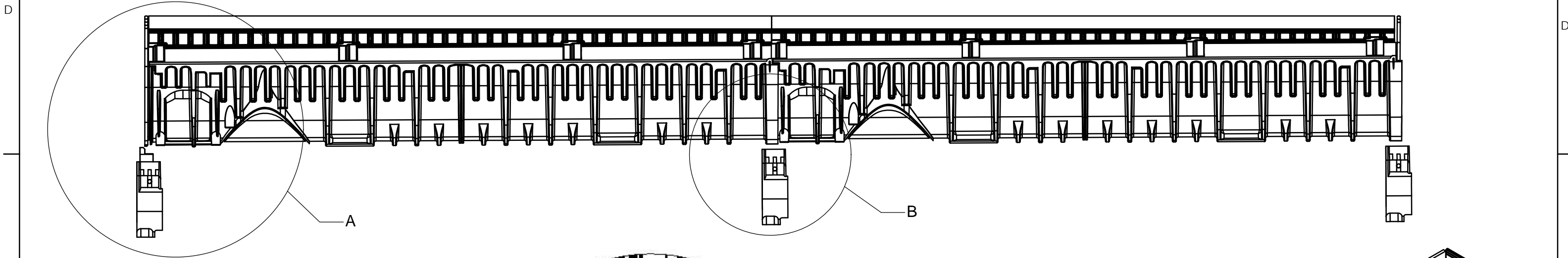


THIS DOCUMENT AND THE DATA DISCLOSED HEREIN OR HEREWITH IS NOT TO BE REPRODUCED, USED, OR DISCLOSED IN WHOLE OR IN PART TO ANYONE WITHOUT THE PERMISSION OF JOSAM COMPANY.

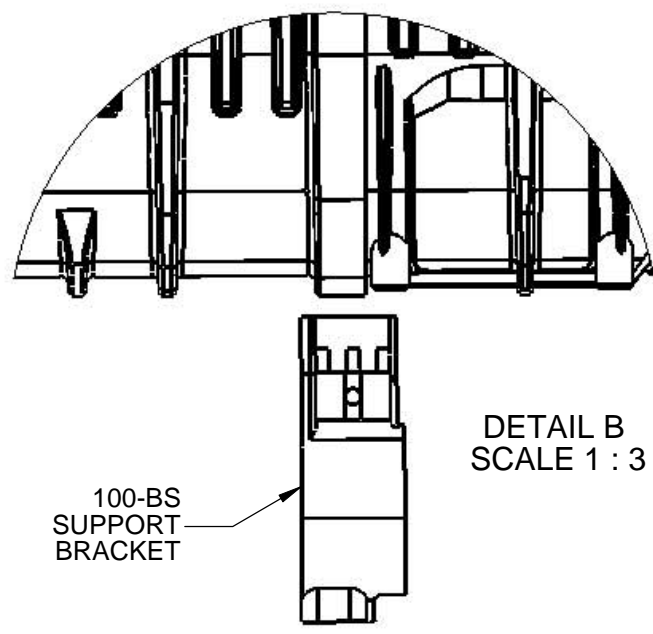
REVISIONS					
ZONE	REV	DESCRIPTION	ECN	DATE	BY
	A	DRAWN IN CAD		2/23/09	JTJ

← FLOW DIRECTION



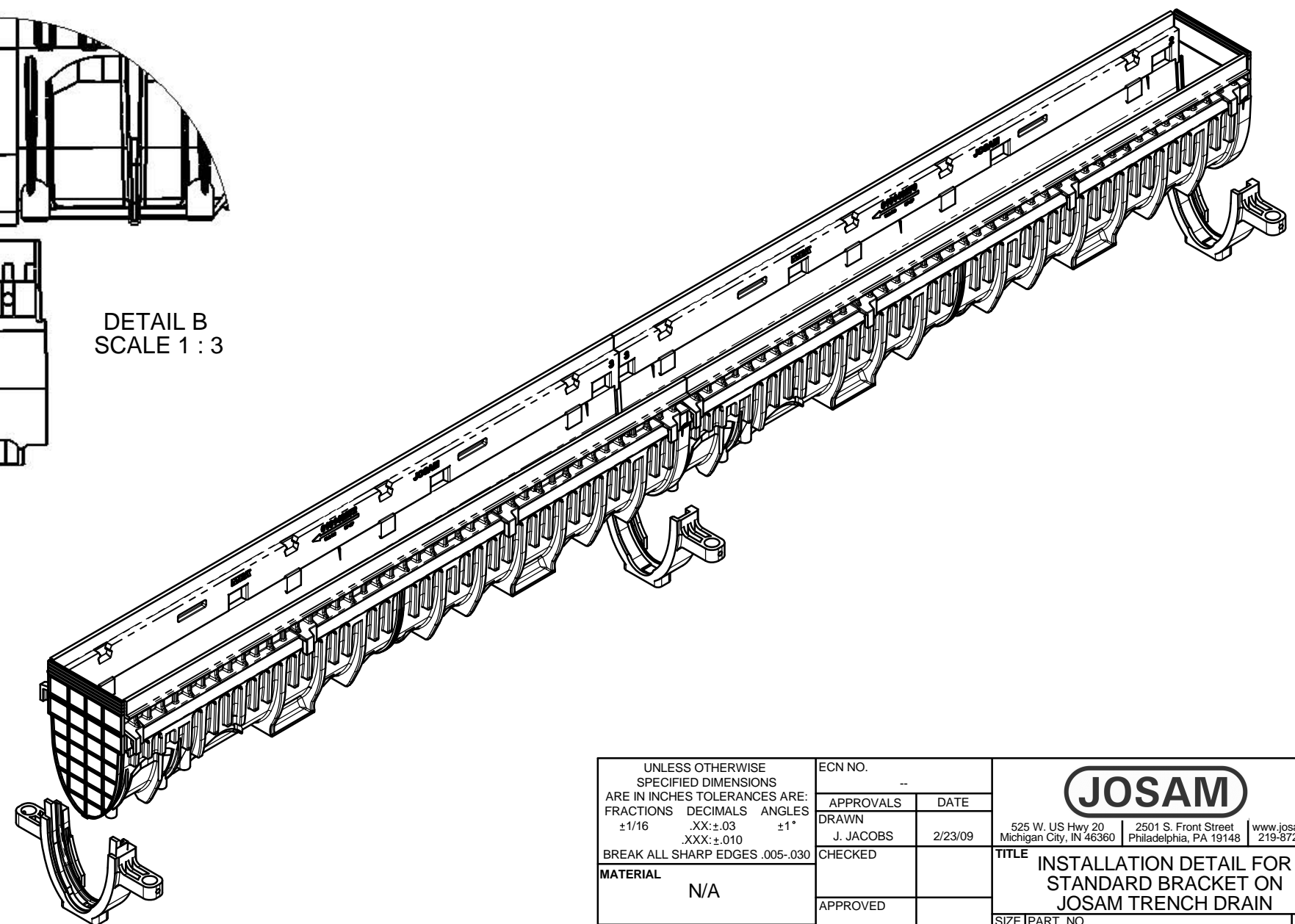
DETAIL A
SCALE 1 : 3

100-BSW
MALE END
SUPPORT
BRACKET



DETAIL B
SCALE 1 : 3

100-BS
SUPPORT
BRACKET



⚠ WARNING: Cancer and Reproductive Harm - www.p65warnings.ca.gov

UNLESS OTHERWISE SPECIFIED DIMENSIONS ARE IN INCHES TOLERANCES ARE: FRACTIONS DECIMALS ANGLES $\pm 1/16$.XX: ± 0.03 $\pm 1^\circ$.XXX: ± 0.010 BREAK ALL SHARP EDGES .005-.030	ECN NO.	--	
	APPROVALS	DATE	
	DRAWN	2/23/09	
	J. JACOBS		
MATERIAL	N/A		
FINISH	N/A		
DO NOT SCALE DRAWING		SCALE 1:3	FABRICATION

JOSAM 525 W. US Hwy 20 Michigan City, IN 46360 2501 S. Front Street Philadelphia, PA 19148 www.josam.com 219-872-5533	
TITLE INSTALLATION DETAIL FOR STANDARD BRACKET ON JOSAM TRENCH DRAIN	
SIZE B	PART NO. STANDARD_BRACKET_INSTALLATION
REV. A	SHEET 1 OF 1