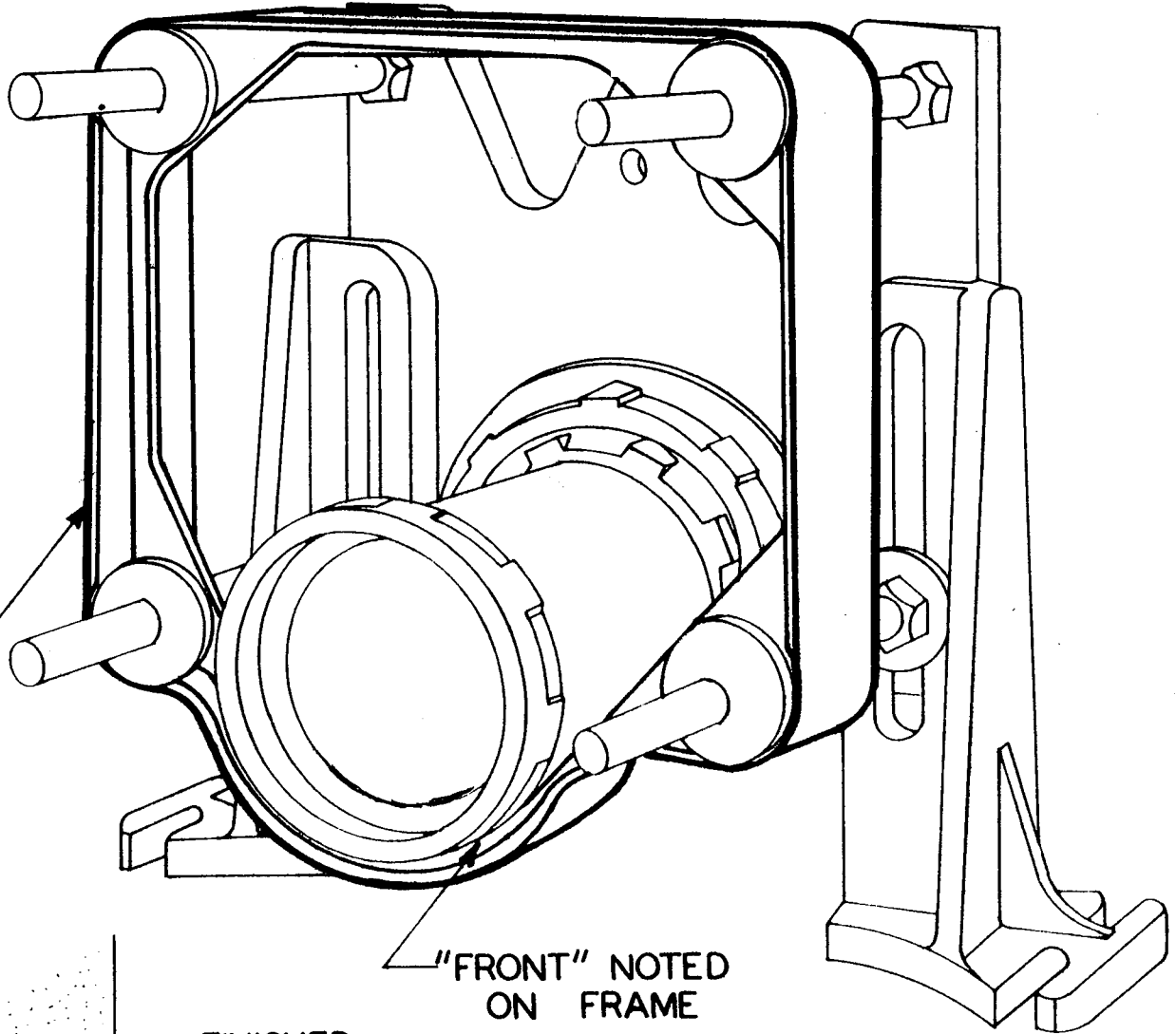
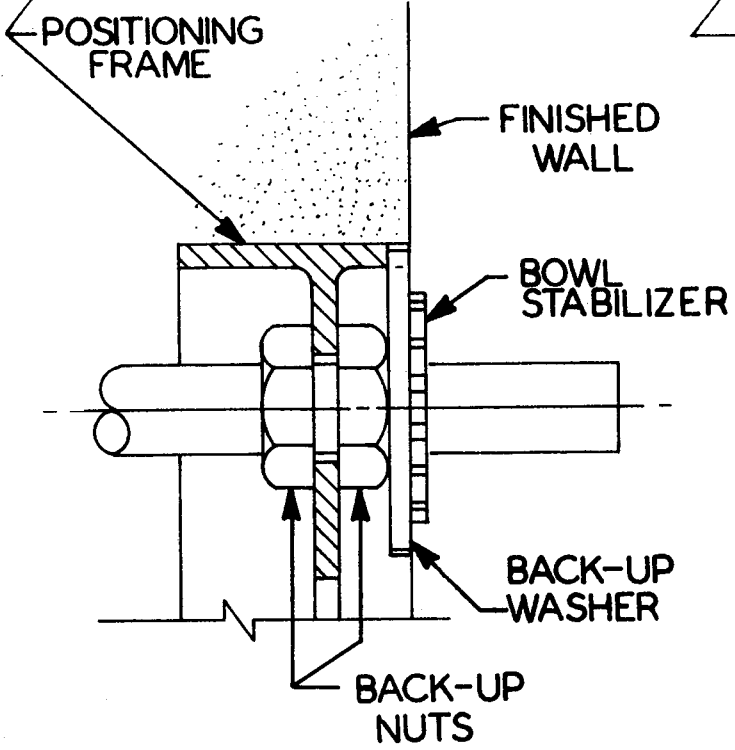


# (-1) POSITIONING FRAME

## FOR SYPHON-JET CLOSETS INSTALLATION INSTRUCTIONS



⚠ WARNING: Cancer and Reproductive Harm - www.p65warnings.ca.gov



"FRONT" NOTED  
ON FRAME

APPLICABLE TO ALL SERIES.  
SERIES 11000 SHOWN.

1. ADJUST BACK-UP NUTS, ON CARRIER MOUNTING STUDS, 5/8" BACK FROM FINISHED WALL LINE.
2. PLACE POSITIONING FRAME OVER MOUNTING STUDS WITH FRONT EDGE OF FRAME FLUSH WITH FINISHED WALL LINE. SECURE IN PLACE WITH BACK-UP NUTS FURNISHED WITH FRAME.
3. COMPLETE WALL CONSTRUCTION AROUND CARRIER AND FRAME. BUTT WALL CONSTRUCTION AGAINST OUTSIDE OF FRAME.
4. SET CLOSET USING NORMAL PROCEDURE.

FORMERLY MI50

SECTION AT  
MOUNTING BOLTS