



**STANDARD PLATE INSTALLATION MANUAL FOR
LAVATORY, URINAL, COOLER & FOUNTAIN CARRIERS**

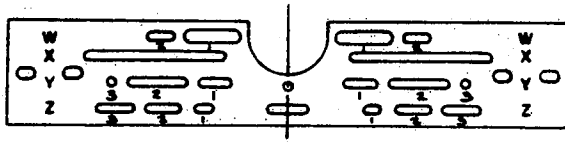


Figure 1

STANDARD PLATE - PART NO. PWSP1 H86 & DESCRIPTION

The plate is perforated as shown in Figure 1, symmetrical about its vertical centerline. With THE exception of the two slots at either end (for attachment to uprights), the slots are in four horizontal rows identified from the top as W, X, Y and Z with each slot numbered 1, 2 or 3 from either side of the centerline. This slot code is used in the "row" columns of the fixture tabulation and on the 22 plate details for proper location of threaded rods. The plate is used for both top and bottom applications either as shown in Figure 1 or inverted, depending on fixture and carrier.

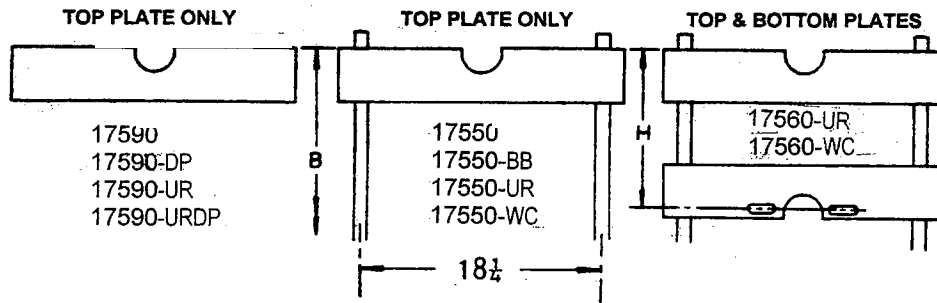


Figure 2:

CARRIER SERIES THAT INCLUDE THE STANDARD PLATE

INSTALLATION INSTRUCTIONS

These instructions are for locating threaded rods in plates and locating plates at proper elevation for fixture to be supported.

Install carrier as recommended in Manual FL-3. Locate threaded rods in plate(s), per plate details and tabulated dimensions, and secure in place. Adjust plate(s) to proper elevation (height) specified for the fixture (Dimensions B and H, Figure 2 and Table), and secure in place.

EXAMPLE: Fixture to be Supported: KOHLER Urinal K-4955-R

1. Install Carrier per Manual FL-3.
2. Refer to table under urinals and note that KOHLER K-4955-R requires top plate per Detail 1 and bottom plate per Detail 2.
3. Locate and secure threaded rods in top plate, Row Y, Slot 2, 10" apart per Dimension N and in Row X Slot, 1" apart per Dimension P.
4. Locate and secure threaded (bearing) rods in bottom plate, Row W, Slot 1, 6-1/2" apart per Dimension Q.
5. Adjust and secure top plate at 37-1/16" elevation per Dimension B, and bottom plate at 18-15/16" Dimension H.

⚠ WARNING: Cancer and Reproductive Harm - www.p65warnings.ca.gov

PLATE DETAILS

These details show proper locations for threaded rods in plates per the slot code with dimensions either on detail or from fixture tabulation. Refer to table for detail(s) applicable to fixture to be supported.

DETAIL-1 	DETAIL-12
DETAIL-2 	DETAIL-13
DETAIL-3 	DETAIL-14
DETAIL-4 	DETAIL-15
DETAIL-5 	DETAIL-16
DETAIL-6 	DETAIL-17
DETAIL-7 	DETAIL-18
DETAIL-8 	DETAIL-19
DETAIL-9 	DETAIL-20
DETAIL-10 	DETAIL-21
DETAIL-11 	DETAIL-22

SP1 Plate Carrier Rod Locations for Various Fixtures

Find fixture model number below under appropriate manufacturer section. Refer to plate drawings shown below and use the rows and dimensions listed when attaching threaded rods. Row columns show both the row letter and slot number.

Manufacturer & Model No.	Plate Drwg Top/Bottom		Fixture Rim Height	Dimensions and Rows													
				B		H		N		P		Q		R		S	
				Dim.	Dim.	Row	Dim.	Row	Dim.	Row	Dim.	Row	Dim.	Row	Dim.	Row	
American Standard Lavatories																	
0124.024	16	21	56-13/16	30-13/16	21-15/16	Y3	13-1/2	X	2-1/2	Y1	12-3/4	X	11-3/4	Z3	12-3/4		
0321.026	16	-	31	30-9/16	-	X	7-1/8	X	1-1/4	Y1	4-1/2	-	-	-	-		
0355.012	16	-	31	32-5/16	-	X	7-1/8	X	1-1/4	Y1	4-1/2	-	-	-	-		
0356.015	16	-	31	32-5/16	-	X	7-1/8	X	1-1/4	Y1	4-1/2	-	-	-	-		
0356.421	16	-	34	35-5/16	-	X	7-1/8	X	1-1/4	Y1	4-1/2	-	-	-	-		
0372.029	16	-	31	33-3/16	-	X	7-1/8	X	1-1/4	Y1	4-1/2	-	-	-	-		
0373.027	16	-	31	33-3/16	-	X	7-1/8	X	1-1/4	Y1	4-1/2	-	-	-	-		
4867.016	6	-	31	35-1/16	-	X	8	X	2-1/2	-	-	-	-	-	-		
4867.024	6	-	31	35-1/16	-	X	8	X	2-1/2	-	-	-	-	-	-		
4869.012	6	-	31	35-1/16	-	X	8	X	2-1/2	-	-	-	-	-	-		
4969.020	6	-	31	35-1/16	-	X	8	X	2-1/2	-	-	-	-	-	-		
American Standard Urinals																	
6501.010	1	2	24	40-13/16	19-13/16	Y3	13-1/2	X	1-3/16	W1	4	-	-	-	-		
6506.011	1	2	24	40-13/16	19-13/16	Y3	13-1/2	X	1-3/16	W1	4	-	-	-	-		
6520.SER	1	2	24	37-13/16	17-13/16	Y2	9-1/4	X	1-3/16	W1	4	-	-	-	-		
6541.132	4	2	24	32-7/16	15-15/16	-	-	X	1-3/16	W1	4	-	-	-	-		
6561.017	1	2	24	38-11/16	21-15/16	Y2	11	X	1-3/16	W1	5-1/4	-	-	-	-		
6581.015	4	5	24	32-13/16	13-15/16	-	-	Z	1-3/16	-	-	X	6-3/4	-	-		
6601.010	1	2	24	41-13/16	20-3/16	Y3	13-1/4	X	1-3/16	W1	4	-	-	-	-		
6601.012	1	2	24	41-13/16	20-3/16	Y3	13-1/4	X	1-3/16	W1	4	-	-	-	-		
6605.027	1	2	24	41-13/16	20-3/16	Y3	13-1/4	X	1-3/16	W1	4	-	-	-	-		
Briggs Lavatories																	
6601	6	-	31	34-13/16	-	X	5	X	1-1/4	-	-	-	-	-	-		
6602	6	-	31	31-9/16	-	X	5	X	1-1/4	-	-	-	-	-	-		
6606	6	-	31	34-13/16	-	X	5	X	1-1/4	-	-	-	-	-	-		
Briggs Urinals																	
7501	4	2	24	32-15/16	14-3/16	-	-	-	-	W1	5-1/2	-	-	-	-		
7530	1	2	24	33-3/16	17-11/16	Y1	7-1/4	X	-	W1	4	-	-	-	-		
7550	1	2	24	41-7/16	20-13/16	Y2	12	X	-	W1	6	-	-	-	-		
Crane Lavatories																	
1-20	16	-	31-1/4	30-1/16	-	X	8-3/4	X	1-1/4	Y1	6	-	-	-	-		
1-127	18	-	31	32-5/16	-	-	-	-	-	-	-	-	-	-	-		
1-194	16	-	31	34-5/16	-	X	8-3/4	X	1-1/4	Y1	6	-	-	-	-		
1-205	16	-	31	34-5/16	-	X	8-3/4	X	1-1/4	Y1	6	-	-	-	-		
1-206	16	-	31	34-15/16	-	X	8-3/4	X	1-1/4	Y1	6	-	-	-	-		
1-300	18	-	31	30-15/16	-	-	-	-	-	-	-	-	-	-	-		
1-320	18	-	31	30-3/16	-	-	-	-	-	-	-	-	-	-	-		
1H-300	18	-	34	33-15/16	-	-	-	-	-	-	-	-	-	-	-		
1H-301	18	-	34	33-15/16	-	-	-	-	-	-	-	-	-	-	-		
Crane Urinals																	
7-150	19	2	24	35-11/16	17-3/4	-	-	-	-	W1	4-1/2	-	-	-	-		
7-151	19	2	24	35-11/16	17-3/4	-	-	-	-	W1	4-1/2	-	-	-	-		
7-180	19	2	24	39-15/16	17-7/16	-	-	-	-	W1	6-1/2	-	-	-	-		
7-182	19	2	24	39-15/16	17-7/16	-	-	-	-	W1	6-1/2	-	-	-	-		
7-187	19	2	24	39-15/16	18-13/16	-	-	-	-	W1	5-1/2	-	-	-	-		
7-188	19	2	24	39-15/16	18-13/16	-	-	-	-	W1	5-1/2	-	-	-	-		
7-190	19	2	24	39-11/16	17-3/16	-	-	-	-	W1	5-1/2	-	-	-	-		
7-309	*19	2	24	33-7/16	16-7/16	-	-	-	-	W1	5-1/2	-	-	-	-		
7-397	19	2	24	41-13/16	20-13/16	-	-	-	-	W1	5-1/2	-	-	-	-		

SP1 Plate Carrier Rod Locations for Various Fixtures

Find fixture model number below under appropriate manufacturer section. Refer to plate drawings shown below and use the rows and dimensions listed when attaching threaded rods. Row columns show both the row letter and slot number.

Manufacturer & Model No.	Plate Drwg Top/Bottom		Fixture Rim Height	Dimensions and Rows													
				B		H		N		P		Q		R		S	
				Dim.	Dim.	Row	Dim.	Row	Dim.	Row	Dim.	Row	Dim.	Row	Dim.	Row	Dim.
4983	6	2	22	39-7/16	19-13/16	X	13	X	1	W1	5	-	-	-	-		
4984	6	2	22	39-7/16	19-13/16	X	13	X	1	W1	5	-	-	-	-		
4990	3	2	22	35-1/4	15-1/16	-	-	-	-	W1	5	W1	4	-	-		
4998	6	2	22	39-7/16	19-13/16	Y2	13	X	1	W1	5	-	-	-	-		
4999	6	2	22	39-7/16	19-13/16	Y2	13	X	1	W1	5	-	-	-	-		
97390	1	2	24	36-15/16	19-9/16	Y2	11	X	1	W1	4-1/4	-	-	-	-		
97391	1	2	24	33-13/16	16-3/16	Y1	6	X	1	W1	6	-	-	-	-		
Elkay Drinking Fountains and Water Coolers																	
EDF-10-C	10	-	36	44-5/8	-	Z1	3	Z3	3	-	-	-	-	-	-		
EDF-14-C	10	9	36	38-5/8	9-3/16	Z1	3	Z3	3	-	-	-	-	Z3	12		
ESRWC-8	1	9	40	59-9/16	22-3/16	Y2	8	X	1-1/2	-	-	-	-	Z3	12-3/4		
ESWA-8	1	9	40	56-13/16	19-7/16	Y2	8	X	1-1/2	-	-	-	-	Z3	12-3/4		
ESWA-13	1	9	40	56-13/16	19-7/16	Y2	8	X	1-1/2	-	-	-	-	Z3	12-3/4		
EWA-8	1	-	40	37-3/16	-	Y2	9-3/8	X	1-1/2	-	-	-	-	-	-		
EWA-14	1	-	40	37-3/16	-	Y2	9-3/8	X	1-1/2	-	-	-	-	-	-		
EWA-16	1	-	40	37-3/16	-	Y2	9-3/8	X	1-1/2	-	-	-	-	-	-		
EWA-20	1	-	40	37-3/16	-	Y2	9-3/8	X	1-1/2	-	-	-	-	-	-		
EWCA-4	1	-	40	37-3/16	-	Y2	9-3/8	X	1-1/2	-	-	-	-	-	-		
EWCA-8	1	-	40	37-3/16	-	Y2	9-3/8	X	1-1/2	-	-	-	-	-	-		
EWCA-14	1	-	40	37-3/16	-	Y2	9-3/8	X	1-1/2	-	-	-	-	-	-		
EWHA-8	1	-	40	37-3/16	-	Y2	9-3/8	X	1-1/2	-	-	-	-	-	-		
LZ8	8	9	31-5/16	29-9/16	15-5/8	-	-	-	-	X	12-3/4	-	-	Z	14		
Gerber Urinals																	
27-780	1	2	24	41-1/16	20-1/16	Y	12-3/4	X	1	-	-	-	-	-	-		
Halsey Taylor Drinking Fountains and Water Coolers																	
5904	2	5	40	43-7/16	8-7/16	-	-	-	-	W1	7	X	8	-	-		
5905	2	5	40	43-15/16	10-15/16	-	-	-	-	W1	7	X	10	-	-		
SW-14A-1	11	-	40	43-7/16	8-7/16	-	-	-	-	W1	7	X	8	-	-		
Haws Drinking Fountains and Water Coolers																	
1118BP	5	9	33	34-13/16	8-5/16	-	-	-	-	-	-	X	6-1/2	Z1	6-1/2		
HW14	6	5	40	40-5/16	27-5/16	X	7-1/2	X	1-1/8	-	-	X	8-1/2	-	-		
HW14H	6	5	40	40-5/16	27-5/16	X	7-1/2	X	1-1/8	-	-	X	8-1/2	-	-		
HW8	6	5	40	40-5/16	27-5/16	X	7-1/2	X	1-1/8	-	-	X	8-1/2	-	-		
HW8H	6	5	40	40-5/16	27-5/16	X	7-1/2	X	1-1/8	-	-	X	8-1/2	-	-		
HW16	6	5	40	40-5/16	27-5/16	X	7-1/2	X	1-1/8	-	-	X	8-1/2	-	-		
HWS4	6	21	40	40-5/16	17-7/8	X	7-1/2	X	1-1/8	-	-	-	-	-	-		
HWS8	6	21	40	40-5/16	17-7/8	X	7-1/2	X	1-1/8	-	-	-	-	-	-		
HWS13	6	21	40	40-5/16	17-7/8	X	7-1/2	X	1-1/8	-	-	-	-	-	-		
HWSR8	5	-	40	59-13/16	-	-	-	-	-	-	-	X	11-3/4	-	-		
HWSR12	5	-	40	59-13/16	-	-	-	-	-	-	-	X	11-3/4	-	-		
Sunroc/Western Drinking Fountains and Water Coolers																	
CSW-4	6	21	40	40-5/16	17-7/8	X	7-1/2	X	1-1/8	-	-	-	-	-	-		
CSW-8	6	21	40	40-5/16	17-7/8	X	7-1/2	X	1-1/8	-	-	-	-	-	-		
CSW-13	6	21	40	40-5/16	17-7/8	X	7-1/2	X	1-1/8	-	-	-	-	-	-		
HCWC-8	6	7	34-5/8	52-5/16	11-5/16	X	7-1/2	X	1-1/8	X	8	-	-	-	-		
NSW-8	6	5	40	40-5/16	27-5/16	X	7-1/2	X	1-1/8	-	-	X	8-1/2	-	-		
NSW-8H	6	5	40	40-5/16	27-5/16	X	7-1/2	X	1-1/8	-	-	X	8-1/2	-	-		
NSW-14	6	5	40	40-5/16	27-5/16	X	7-1/2	X	1-1/8	-	-	X	8-1/2	-	-		
NSW-14H	6	5	40	40-5/16	27-5/16	X	7-1/2	X	1-1/8	-	-	X	8-1/2	-	-		
NSW-16	6	5	40	40-5/16	27-5/16	X	7-1/2	X	1-1/8	-	-	X	8-1/2	-	-		

SP1 Plate Carrier Rod Locations for Various Fixtures

Find fixture model number below under appropriate manufacturer section. Refer to plate drawings shown below and use the rows and dimensions listed when attaching threaded rods. Row columns show both the row letter and slot number.

Manufacturer & Model No.	Plate Drwg Top/Bottom		Fixture Rim Height	Dimensions and Rows													
				B		H		N		P		Q		R		S	
				Dim.	Dim.	Row	Dim.	Row	Dim.	Row	Dim.	Row	Dim.	Row	Dim.		
Eljer Urinals																	
161-1030	1	2	24	40-13/16	19-3/16	Y2	12	X	1	W1	7-1/4	-	-	-	-		
161-1045	1	2	24	40-13/16	19-3/16	Y2	12	X	1	W1	7-1/4	-	-	-	-		
161-1060	1	2	24	40-13/16	19-3/16	Y2	12	X	1	W1	7-1/4	-	-	-	-		
161-1075	1	2	24	40-13/16	19-3/16	Y2	12	X	1	W1	7-1/4	-	-	-	-		
161-1090	1	2	24	37-1/16	19-9/16	Y2	11	X	1	W1	4-1/4	-	-	-	-		
161-1095	1	2	24	37-1/16	19-9/16	Y2	11	X	1	W1	4-1/4	-	-	-	-		
161-1100	1	2	25-1/2	35-5/16	12-1/16	Y2	9-1/2	X	1	W1	5	-	-	-	-		
161-1103	1	2	25-1/2	35-5/16	12-1/16	Y2	9-1/2	X	1	W1	5	-	-	-	-		
161-1150	1	2	24	33-13/16	16-3/16	Y1	6	X	1	-	-	-	-	-	-		
161-1190	1	2	24	33-5/16	16-3/16	Y2	8	X	1	W1	4	-	-	-	-		
Kohler Lavatories																	
K-1722	1	-	31	31-9/16	-	Y2	8-1/4	X	1	-	-	-	-	-	-		
K-1724	1	-	31	31-9/16	-	Y2	8-1/4	X	1	-	-	-	-	-	-		
K-1728	1	-	31	31-9/16	-	Y2	8-1/4	X	1	-	-	-	-	-	-		
K-2005	1	-	31	34-9/16	-	Y2	8-1/4	X	1	-	-	-	-	-	-		
K-2006	1	-	31	34-9/16	-	Y2	8-1/4	X	1	-	-	-	-	-	-		
K-2007	1	-	31	34-9/16	-	Y2	8-1/4	X	1	-	-	-	-	-	-		
K-2030	1	-	31	34-9/16	-	Y2	8-1/4	X	1	-	-	-	-	-	-		
K-2032	1	-	31	34-9/16	-	Y2	8-1/4	X	1	-	-	-	-	-	-		
K-2034	1	-	31	34-9/16	-	Y2	8-1/4	X	1	-	-	-	-	-	-		
K-2705	17	-	31	36-3/16	-	X	7-1/4	X	2-3/4	W2	10	-	-	-	-		
K-2861	17	-	31	37-3/16	-	X	7-1/4	X	2-3/4	W2	10	-	-	-	-		
K-2863	17	-	31	37-3/16	-	X	7-1/4	X	2-3/4	W2	10	-	-	-	-		
K-2867	17	-	31	37-3/16	-	X	7-1/4	X	2-3/4	W2	10	-	-	-	-		
K-2868	17	-	31	37-3/16	-	X	7-1/4	X	2-3/4	W2	10	-	-	-	-		
Kohler Hospital Lavatories																	
K-12643	1	-	31	34-9/16	-	Y2	8-1/4	X	1	-	-	-	-	-	-		
Kohler Urinals																	
K-4960-ET	1	2	24	41-13/16	20-13/16	Y2	12	X	1	W1	6	-	-	-	-		
K-4960-R	1	2	24	41-13/16	20-13/16	Y2	12	X	1	W1	6	-	-	-	-		
K-4960-T	1	2	24	41-13/16	20-13/16	Y2	12	X	1	W1	6	-	-	-	-		
K-4972-R	1	2	24	41-7/16	19-5/16	Y2	12	X	1	W1	6	-	-	-	-		
K-4972-T	1	2	24	41-7/16	19-5/16	Y2	12	X	1	W1	6	-	-	-	-		
K-4980-R	1	2	24	41-13/16	19-15/16	Y2	12	X	1	W1	7-1/4	-	-	-	-		
K-4980-T	1	2	24	41-13/16	19-15/16	Y2	12	X	1	W1	7-1/4	-	-	-	-		
K-4989-T	1	2	24	36-13/16	19-9/16	Y2	10	X	1	W1	6	-	-	-	-		
K-5014-T	1	2	24	33-7/16	15-3/16	Y1	6-1/2	X	1	W1	7	-	-	-	-		
K-5016-ET	1	2	24	33-5/16	15-13/16	Y1	6-1/2	X	1	W1	6	-	-	-	-		
K-5024-T	4	2	24	31-15/16	14-15/16	-	-	Z	1	W1	4	-	-	-	-		
Universal Rundle Lavatories																	
4551	13	-	31	31-1/16	-	Y1	5	X	7/16	-	-	-	-	-	-		
4646	6	-	31	34-3/16	-	X	5	X	1	-	-	-	-	-	-		
4648	6	-	31	34-7/16	-	X	5	X	1	-	-	-	-	-	-		
4649	6	-	31	34-7/16	-	X	5	X	1	-	-	-	-	-	-		
4656	6	-	31	31-13/16	-	X	5	X	1	-	-	-	-	-	-		
4698	6	-	31	29-13/16	-	X	5	X	1	-	-	-	-	-	-		
4699	6	-	31	29-13/16	-	X	5	X	1	-	-	-	-	-	-		
Universal Rundle Urinals																	
4980	1	2	22	37-3/16	21-13/16	Y2	11-1/2	X	1	W1	5	-	-	-	-		
4981	3	2	22	33-13/16	18-11/16	-	-	-	-	W1	5-1/4	W1	5-1/4	-	-		